

SEPAR 2000

MOBILE FILTRATION SYSTEM - MFS

SEPAR
FILTER

SEPAR 2000 - Mobile Filtration System Water Separator / Filter for Diesel Fuels

The mobile filtration system can be used to clean up tanks in a by-pass loop as well as to refill vehicles, machines and mobile tank systems. The mobile system bases on the proven, multi stage centrifugal separation principle and results in an effective solution of the water and particulate related problems.

Advantages of the MFS SWK-2000/40/WSA:

- Effective polishing of diesel fuels
- Reduction of operational costs
- Flexible operation
- Compact design
- Easy handling and use
- Environment friendly
- Advanced technical features
- Simple maintenance



Features:

1. *Water alarm* – In case of a critical water level in the filter bowl the pump will be deactivated. Only after water drain the pump can be restarted.
2. Due to the *too high temperature control* of the pump drive engine the flow rate will be automatically adjusted by the ambient temperature. At too high temperatures the engine will be switched off. After cooling down the unit can be restarted again
3. *Adjustable timer* for desired operational time of the pump
4. *Variable flow rate* to adapt to different tank sizes.
5. *Dispensing nozzle with automatic shut off* as well as *suction hose with check valve and steel strainer*.
6. *Operation with either Mains 100-240 VAC / 50-60 cycles or battery 12 VDC is possible. Reversed polarity protection* – excludes damage due too wrong polarity.
7. *Collapsible handle bar* ensures easy transport.



SEPAR 2000

MOBILE FILTRATION SYSTEM - MFS

SEPAR FILTER

Available spare elements and pore ratings:

- Stainless mesh-element *, pore size 60 µm
- Celluloses-element, pore size 30 µm
- Celluloses-element, pore size 10 µm

(*) = Can be clean outside of the filter with clean rinsing fluid and brush and reinserted in the filter afterwards.

Technical Data:

Electrical Data

Operation with battery

Supply voltage:	12 VDC
Maximum operational voltage:	15 VDC
Maximum current consumption:	30 A

Mains operation with VAC

Supply voltage:	100 VAC until 240 VAC
Mains frequency:	50 Hz until 60 Hz
Maximum current consumption:	5 A (at 115 VAC)

Range of temperature

Operating temperature:	-40 °C until +40 °C
Storage temperature:	-40 °C until +85 °C

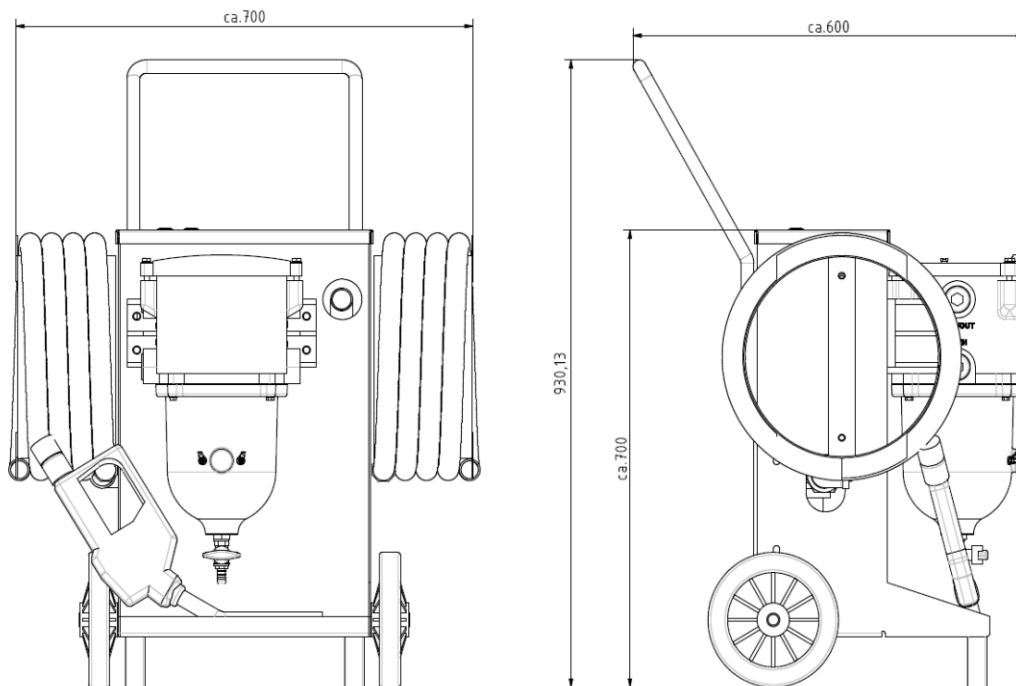
Mechanical Data

Maximum flow rate of the pump:	ca. 40 l/min
Maximum suction height:	ca. 2 m

Weight and dimensions

Empty weight (without fluid):	65 kg
-------------------------------	-------

The dimensions (tolerance < 5 mm) can be gathered from the following drawing [ca. = approximately]



Manual MFS

Willibrord Lösing
Filtertechnik e. K.



Postfach 86 60 09
DE-45517 Hattingen
Am Walzwerk 2
DE-45527 Hattingen
Phone: +49 2324 946-0
Fax: +49 2324 40842
WEB: www.loesing-filter.de
E-Mail: info@loesing-filter.de