



aerospace  
climate control  
electromechanical  
filtration  
fluid & gas handling  
hydraulics  
**pneumatics**  
process control  
sealing & shielding



# Air Preparation System P3L Lite Series

Fully Modular with 1/4" Body Ports

Catalogue PDE2661TCUK August 2012



ENGINEERING YOUR SUCCESS.



**WARNING**

FAILURE OR IMPROPER SELECTION OR IMPROPER USE OF THE PRODUCTS AND/OR SYSTEMS DESCRIBED HEREIN OR RELATED ITEMS CAN CAUSE DEATH, PERSONAL INJURY AND PROPERTY DAMAGE.

This document and other information from Parker Hannifin Corporation, its subsidiaries and authorized distributors provide product and/or system options for further investigation by users having technical expertise. It is important that you analyze all aspects of your application and review the information concerning the product or system in the current product catalog. Due to the variety of operating conditions and applications for these products or systems, the user, through its own analysis and testing, is solely responsible for making the final selection of the products and systems and assuring that all performance, safety and warning requirements of the application are met. The products described herein, including without limitation, product features, specifications, designs, availability and pricing, are subject to change by Parker Hannifin Corporation and its subsidiaries at any time without notice.

**SALE CONDITIONS**

The items described in this document are available for sale by Parker Hannifin Corporation, its subsidiaries or its authorized distributors. Any sale contract entered into by Parker will be governed by the provisions stated in Parker's standard terms and conditions of sale (copy available upon request).

Features .....	4
Popular Combinations .....	5
Modular Connector Kit Assembly .....	5
P3L Lite Particulate Filter .....	6 - 7
P3L Lite Coalescing and Adsorber Filters .....	8 - 9
P3L Lite Regulator .....	10 - 11
P3L Lite Regulator - Brass .....	12 - 13
P3L Lite Filter/Regulator .....	14 - 15
P3L Lite Lubricator .....	16 - 17
Port Block .....	18
Accessories Kits .....	19

**The System**

The new P3L Series FRLs have been developed to provide a rugged, high quality ultra light weight air preparation system with excellent performance and providing real value for money.

The 1/4" ported units may be used individually but are also fully modular which allows units to be connected together, without the use of pipe connectors, saving space; providing constant mounting centres; whilst maintaining a modern aesthetically pleasing appearance.

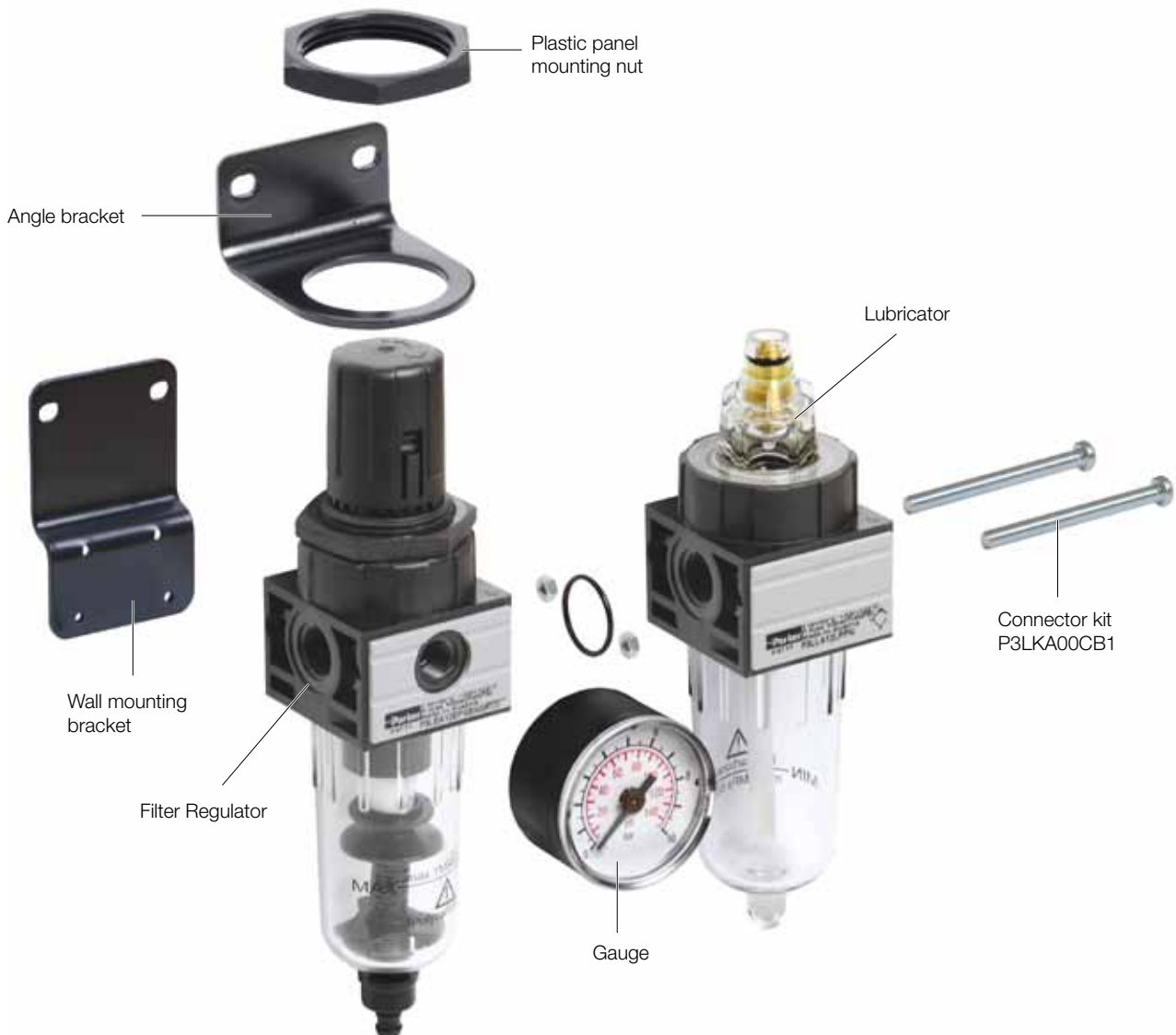
The P3L filters are specially designed to efficiently filter out rust, dirt, moisture and other impurities from compressed air lines. Units are available with a choice of 5 micron or 40 micron elements and with either manual or semi auto drains. Coalescing filters for the removal of liquid aerosols and sub-micron particles and adsorber filters for the removal of oil vapours and most hydrocarbons to provide high purity air are also included in the series.

The P3L regulators have an unbalanced poppet valve as standard, with a solid control piston. The P3L lubricators are designed to provide lubrication for many general purpose applications in a pneumatic system.

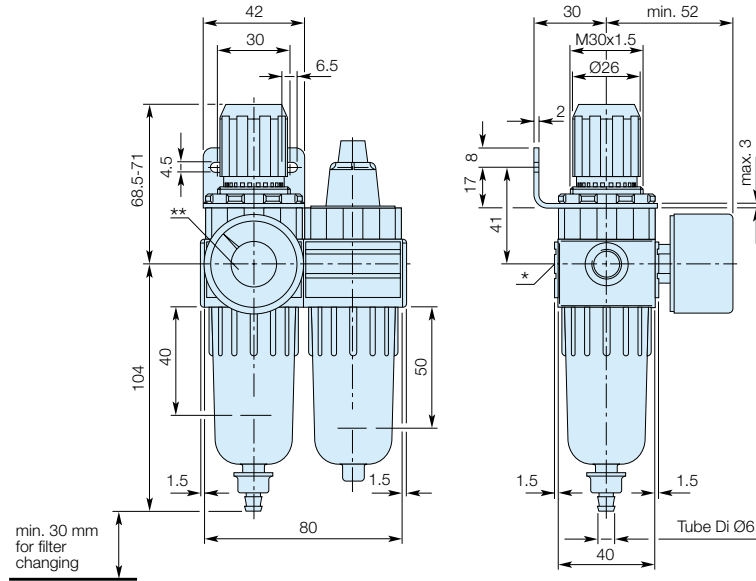
For aggressive environments a brass bodied version is available and both relieving and non-relieving versions are standard options.

The P3L lubricators are designed to provide proportional lubrication over a wide range of air flows for many general purpose applications in a pneumatic system.

An additional feature of this range is the modular manifold block which enables combinations to be made with "air take off" points at selected points in the combination. This allows for an un-lubricated "air take off" or differing pressure "air take off" to be assembled dependent upon position.



**Popular Combinations :**



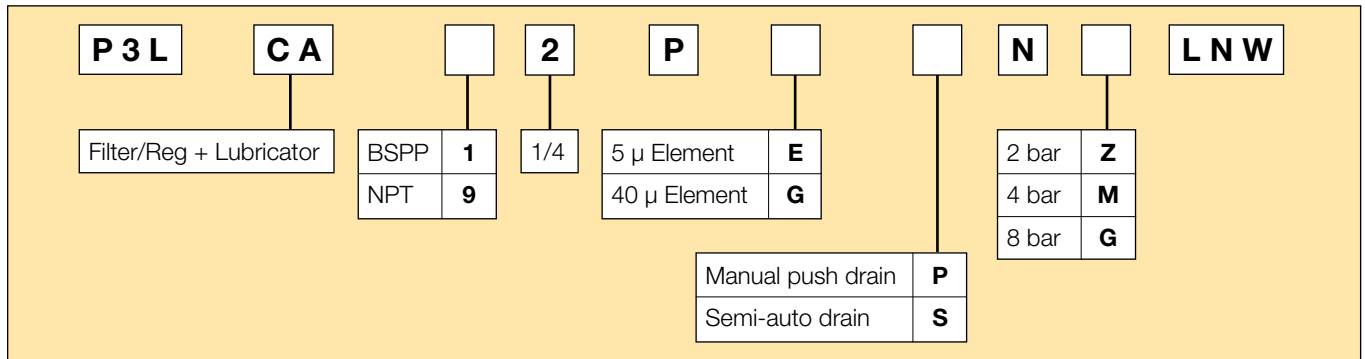
\* On delivery the screw plug is not assembled  
 \*\* Two opposite gauge ports 1/8"

**Filter Regulator + Lubricator Combination -**

Polycarbonate bowl, 5 micron, 8-bar with Gauge, Wall mounting Bracket.

Port size	Flow dm <sup>3</sup> /s (scfm)	Manual Push Drain	Weight	Semi-Auto Drain	Weight
1/4"	8.0 (17.0)	<b>P3LCA12PEPNGLNW</b>	0.32 kg (70 lbs)	<b>P3LCA12PESNGLNW</b>	0.32 kg (70 lbs)

Inlet pressure 10 bar, Secondary pressure 6.3 bar, 1 bar pressure drop.



**Modular Connector Kit Assembly**



**P31KA00CB1**  
 Connects product  
 (E/R + F/L)



**P31KA00CB2**  
 Connects product  
 (E/R + M + F/L)  
**P31KA00CB3**  
 (E/R + F + F)



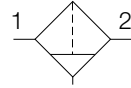
**P31KA00CB4**  
 Connects product  
 (F + L)

# P3L Lite Series Air Preparation System

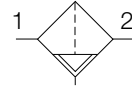
## P3L Lite Particulate Filter



### Symbols



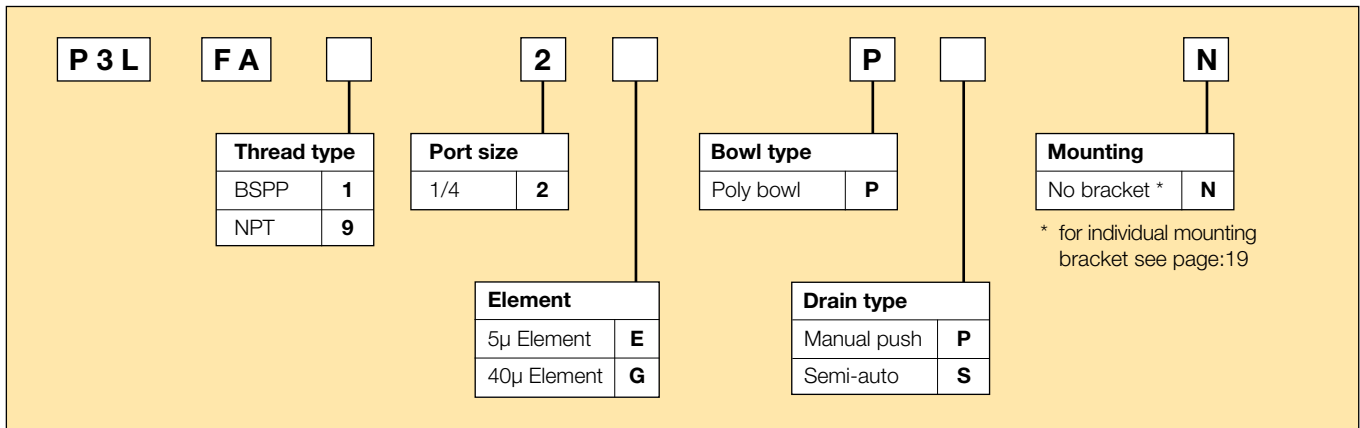
Manual drain



Semi-auto drain

- Integral 1/4 ports (BSPP & NPT)
- High efficiency 5 micron element as standard
- Excellent water removal efficiency
- Robust but lightweight construction
- One hand operation for easy element cartridge removal

### Options:



Port size	Description	Order Code	Flow dm <sup>3</sup> /s *	(scfm) *	Max bar (psi)	Height mm (Inches)	Width mm (Inches)	Depth mm (Inches)
1/4"	Poly bowl - Manual drain - 5µ	<b>P3LFA12EPPN</b>	30.5	(65)	10 (150)	115 (4.52)	40 (1.58)	40 (1.58)
1/4"	Poly bowl - Semi-auto drain - 5µ	<b>P3LFA12EPSN</b>	30.5	(65)	10 (150)	115 (4.52)	40 (1.58)	40 (1.58)
1/4"	Metal bowl - Manual drain - 40µ	<b>P3LFA12GPPN</b>	30.5	(65)	10 (150)	115 (4.52)	40 (1.58)	40 (1.58)
1/4"	Metal bowl - Semi-auto drain - 40µ	<b>P3LFA12GPSN</b>	30.5	(65)	10 (150)	115 (4.52)	40 (1.58)	40 (1.58)

\* flow with 10 bar (145 psi) inlet pressure and 1 bar (14.5 psi) pressure drop.

**PDE2661TCUK**  
**P3L Lite Series Air Preparation System**

**Specifications**

Flow Capacity	1/4	30.5 dm <sup>3</sup> /s (65 scfm)
Operating Temperature	0°C (32°F) to 50°C (122°F)	
Max Supply Pressure	10 bar (150 psi)	
Standard Filtration	5 Micron	
Useful Retention	12 cm <sup>3</sup> (0.4 US oz.)	
Port Size	BSP / NPT	1/4
Weight	0.11 kg (0.24 lbs)	

\* Inlet pressure 10 bar (145 psi). Pressure drop 1 bar (14.5 psi).

**Air quality:**

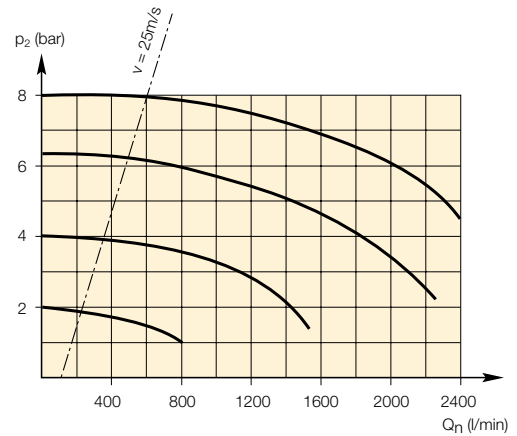
Within ISO 8573-1: 1991 Class 3 (Particulates)  
 Within ISO 8573-1: 2001 Class 6 (Particulates)

**Materials of Construction**

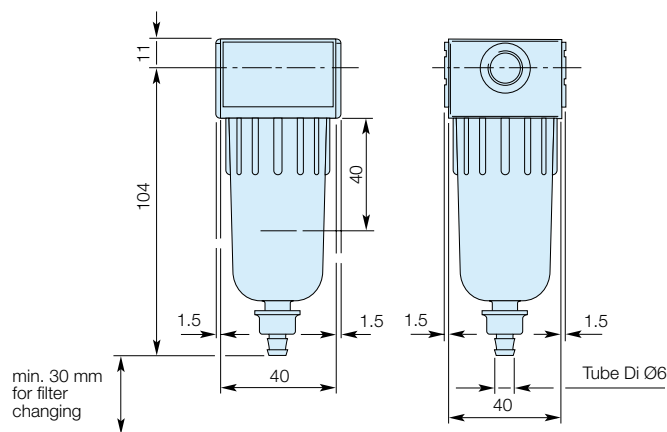
Body	High Tech Polymer
Bowl	Polycarbonate
Element Retainer	POM
Baffle	POM
Filter Element	Sintered Polyethylene
Seals	Nitrile

**Flow Charts**

**5µ Filter**



**Dimensions**



**Repair and Service Kits**

Plastic bowl / semi-auto drain	<b>P3LKA00BPS</b>
5µ particle filter element	<b>P3LKA00ESE</b>
40µ particle filter element	<b>P3LKA00ESG</b>
Individual mounting bracket - P3LFA / P3LLA	<b>P3LKA00MW</b>

# P3L Lite Series Air Preparation System

## P3L Lite Coalescing and Adsorber Filters

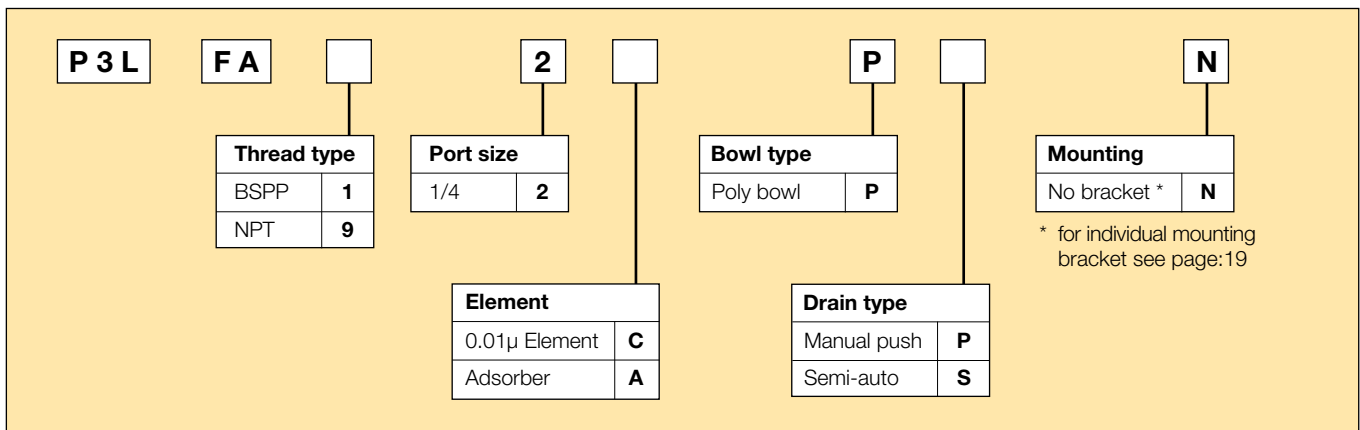


- Integral 1/4 ports (BSPP & NPT)
- Removes liquid aerosols and sub micron particles
- Oil free air for critical applications, such as air gauging, pneumatic instrumentation and control
- Adsorbing activated carbon element removes oil vapours and most hydrocarbons

**Note:** To optimise the life of coalescing element, it is advisable to install a P3LF pre-filter with a 5 micron element upstream of the coalescing filter.

To optimise the life of an Adsorber it is advisable to install a P3L Coalescing Filter upstream of the Adsorber. Adsorber element should be replaced approx. every 1000 hours of service

### Options:



Port size	Description	Order Code	Flow dm <sup>3</sup> /s (scfm) *	Max bar (psi) *	Height mm (Inches)	Width mm (Inches)	Depth mm (Inches)
1/4"	Poly bowl - 0.01 micron - Manual drain	<b>P3LFA12CPPN</b>	2 (4.23)	10 (150)	115 (4.52)	40 (1.58)	40 (1.58)
1/4"	Poly bowl - Adsorber	<b>P3LFA12APPN</b>	6 (12.7)	10 (150)	115 (4.52)	40 (1.58)	40 (1.58)

\* flow with 6.3 bar (91.3 psi) inlet pressure and 0.2 bar (3 psi) pressure drop.



## P3L Lite Series Air Preparation System

### Specifications

Flow Capacity	2 dm <sup>3</sup> /s (4.2) SCFM		
0.01 Micron Coalescing	Energy Efficient Flow*	2	(4.2)
	Maximum Flow**	3.8	(8)
Activated Carbon Adsorber	Rated Flow*	6	(13)
Operating Temperature	0°C (32°F) to 50°C (122°F)		
Max Supply Pressure	10 bar (150 psi)		
Standard Filtration	0.01 Micron ppm wt		
Adsorber	Max oil carryover (ppm w/w)	0.003 @ 21°C (70°F)	
Useful Retention	12 cm <sup>3</sup> (0.4 US oz.)		
Port Size	BSPP / NPT	1/4	
Weight	11kg (24 lbs)		

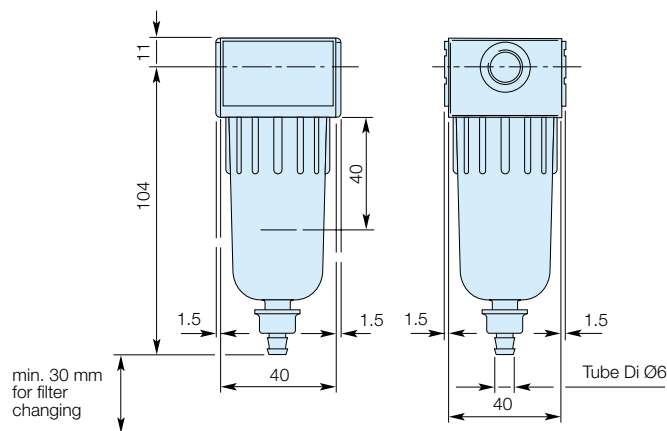
\* Inlet pressure 6.3 bar (90 psi), Pressure drop 0.2 bar (3 psi), Saturated Element.

\*\* Inlet pressure 6.3 bar (90 psi), Pressure drop 0.4 bar (6 psi), Saturated Element.

### Materials of Construction

Body	High Tech Polymer		
Bowl	Polycarbonate		
Filter Element	0.01 Micron	Borosilicate Cloth	
Adsorber	Activated Carbon		
Seals	Nitrile		

### Dimensions



### Repair and Service Kits

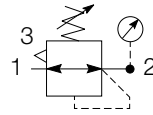
Plastic bowl / manual push drain Coalescing	<b>P3LKA00BPP1</b>
Plastic bowl / manual push drain, Adsorber	<b>P3LKA00BPP2</b>
0.01µ coalescing filter element	<b>P3LKA00ESC</b>
Activated carbon adsorber filter element	<b>P3LKA00ESA</b>
Individual mounting bracket - P3LFA / P3LLA	<b>P3LKA00MW</b>

# P3L Lite Series Air Preparation System

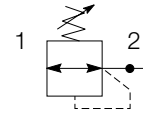
## P3L Lite Regulator



### Symbols



Self relieving regulator with gauge



Non relieving regulator

- Integral 1/4 ports (BSPP & NPT)
- Robust but lightweight construction
- Secondary pressure ranges 2, 4 & 8 bar
- Unbalanced poppet valve standard, with solid control piston
- Relieving & Non-relieving types
- Non-rising knob
- Industrial water & Drinking water applications on request

### Options:

<b>P 3 L</b>	<b>R A</b>	□	<b>2</b>	□	<b>N</b>	□	<b>P</b>																										
		<table border="1" style="width: 100%; border-collapse: collapse;"> <tr><th colspan="2">Thread type</th></tr> <tr><td>BSPP</td><td style="text-align: center;"><b>1</b></td></tr> <tr><td>NPT</td><td style="text-align: center;"><b>9</b></td></tr> </table>	Thread type		BSPP	<b>1</b>	NPT	<b>9</b>	<table border="1" style="width: 100%; border-collapse: collapse;"> <tr><th colspan="2">Port size</th></tr> <tr><td>1/4</td><td style="text-align: center;"><b>2</b></td></tr> </table>	Port size		1/4	<b>2</b>			<table border="1" style="width: 100%; border-collapse: collapse;"> <tr><th colspan="2">Mounting</th></tr> <tr><td>Plastic panel mount nut *</td><td style="text-align: center;"><b>P</b></td></tr> </table> <p style="font-size: small;">* for individual mounting bracket see page:19</p>		Mounting		Plastic panel mount nut *	<b>P</b>												
Thread type																																	
BSPP	<b>1</b>																																
NPT	<b>9</b>																																
Port size																																	
1/4	<b>2</b>																																
Mounting																																	
Plastic panel mount nut *	<b>P</b>																																
		<table border="1" style="width: 100%; border-collapse: collapse;"> <tr><th colspan="2">Relief</th></tr> <tr><td>Relieving</td><td style="text-align: center;"><b>B</b></td></tr> <tr><td>Non relieving</td><td style="text-align: center;"><b>N</b></td></tr> </table>		Relief		Relieving	<b>B</b>	Non relieving	<b>N</b>	<table border="1" style="width: 100%; border-collapse: collapse;"> <tr><th colspan="4">Adjustment range</th></tr> <tr><th colspan="2">With round gauge</th><th colspan="2">Without gauge</th></tr> <tr><td>2 bar</td><td style="text-align: center;"><b>Z</b></td><td>2 bar</td><td style="text-align: center;"><b>Y</b></td></tr> <tr><td>4 bar</td><td style="text-align: center;"><b>M</b></td><td>4 bar</td><td style="text-align: center;"><b>L</b></td></tr> <tr><td>8 bar</td><td style="text-align: center;"><b>G</b></td><td>8 bar</td><td style="text-align: center;"><b>N</b></td></tr> </table>				Adjustment range				With round gauge		Without gauge		2 bar	<b>Z</b>	2 bar	<b>Y</b>	4 bar	<b>M</b>	4 bar	<b>L</b>	8 bar	<b>G</b>	8 bar	<b>N</b>
Relief																																	
Relieving	<b>B</b>																																
Non relieving	<b>N</b>																																
Adjustment range																																	
With round gauge		Without gauge																															
2 bar	<b>Z</b>	2 bar	<b>Y</b>																														
4 bar	<b>M</b>	4 bar	<b>L</b>																														
8 bar	<b>G</b>	8 bar	<b>N</b>																														

Port size	Description	Order Code	Flow dm <sup>3</sup> /s * (scfm) *	Max bar (psi)	Height mm (Inches)	Width mm (Inches)	Depth mm (Inches)
1/4"	8 bar relieving	<b>P3LRA12BNNP</b>	12.8 (27)	10 (150)	88 (3.46)	40 (1.57)	40 (1.57)
1/4"	8 bar relieving + gauge	<b>P3LRA12BNGP</b>	12.8 (27)	10 (150)	88 (3.46)	40 (1.57)	72 (2.83)

\* flow with 10 bar (145 psi) inlet pressure, 6.3 bar (91.3 psi) set pressure and 1 bar (14.5 psi) pressure drop.

PDE2661TCUK  
**P3L Lite Series Air Preparation System**

**Specifications**

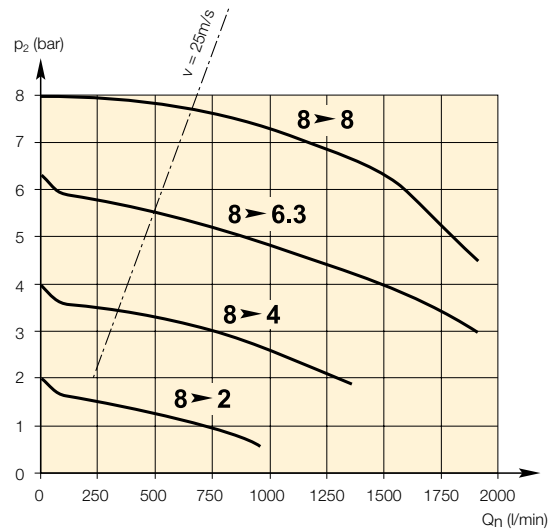
Flow Capacity*	1/4	12.8 dm <sup>3</sup> /s (27 scfm)
Operating Temperature	0°C (32°F) to 50°C (122°F)	
Max Supply Pressure	10 bar (150 psi)	
Adjusting Range Pressure	0-2 bar (30 psi) 0-4 bar (60 psi) 0-8 bar (125 psi)	
Port Size	BSPP / NPT	1/4
Gauge Port (2 ea.)	BSPP / NPSI	1/8
Weight	0.11 kg (24 lbs)	
Inlet pressure 10 bar (145 psi), 6.3 bar (91.3 psi) set pressure and 1 bar (14.5 psi) pressure drop.		

**Materials of Construction**

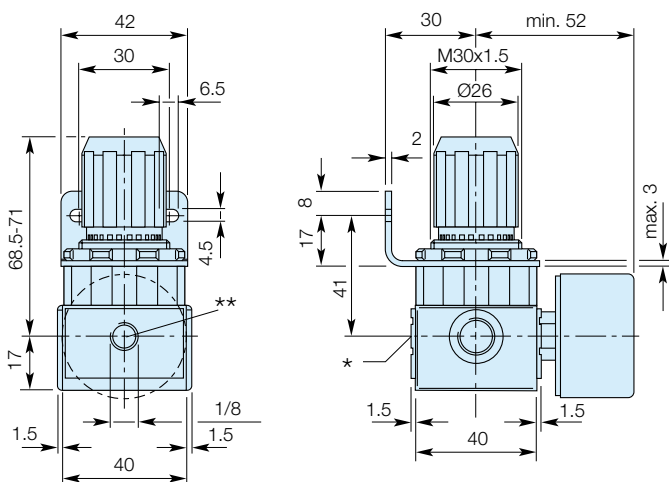
Body	High Tech Polymer
Adjustment Knob	Polyamide
Bonnet	High Tech Polymer
Piston	Brass / Nitrile
Springs	Steel
Seals	Nitrile
Panel Nut	Polyamide

**Flow Charts**

**Regulator**



**Dimensions**



\* On delivery the screw plug is not assembled  
 \*\* Two opposite gauge ports 1/8"

**Repair and Service Kits**

Panel mount nut - Aluminium	<b>P3LKA00MM</b>
Panel mount nut - Plastic	<b>P3LKA00MP</b>
Angle Bracket (uses panel mount threads)	<b>P3LKA00MR</b>

**Gauges**

**40mm (1 1/2") Round 1/8" centre back mount**

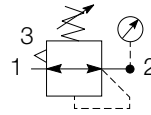
0-30 PSI / 0-2 bar	<b>KZ8810-00</b>
0-58 PSI / 0-4 bar	<b>KZ8811-00</b>
0-160 PSI / 0-10 bar	<b>KZ8813-00</b>

# P3L Lite Series Air Preparation System

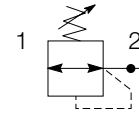
## P3L Lite Regulator - Brass



### Symbols



Self relieving regulator with gauge



Non relieving regulator

- Integral 1/4 ports (BSPP & NPT)
- Robust brass construction
- Secondary pressure ranges 2, 4, 8 & 16 bar
- Unbalanced poppet valve standard, with solid control piston
- Relieving & Non-relieving types
- Non-rising knob
- Industrial water & Drinking water applications on request

### Options:

<b>P 3 L</b>	<b>R X</b>		<b>2</b>		<b>N</b>		<b>P</b>																																								
<table border="1"> <thead> <tr> <th colspan="2">Thread type</th> </tr> </thead> <tbody> <tr> <td>BSPP</td> <td><b>1</b></td> </tr> <tr> <td>NPT</td> <td><b>9</b></td> </tr> </tbody> </table>		Thread type		BSPP	<b>1</b>	NPT	<b>9</b>	<table border="1"> <thead> <tr> <th colspan="2">Port size</th> </tr> </thead> <tbody> <tr> <td>1/4</td> <td><b>2</b></td> </tr> </tbody> </table>		Port size		1/4	<b>2</b>	<table border="1"> <thead> <tr> <th colspan="2">Relief</th> </tr> </thead> <tbody> <tr> <td>Relieving</td> <td><b>B</b></td> </tr> <tr> <td>Non relieving</td> <td><b>N</b></td> </tr> </tbody> </table>		Relief		Relieving	<b>B</b>	Non relieving	<b>N</b>	<table border="1"> <thead> <tr> <th colspan="4">Adjustment range</th> </tr> <tr> <th colspan="2">With round gauge</th> <th colspan="2">Without gauge</th> </tr> </thead> <tbody> <tr> <td>2 bar</td> <td><b>Z</b></td> <td>2 bar</td> <td><b>Y</b></td> </tr> <tr> <td>4 bar</td> <td><b>M</b></td> <td>4 bar</td> <td><b>L</b></td> </tr> <tr> <td>8 bar</td> <td><b>G</b></td> <td>8 bar</td> <td><b>N</b></td> </tr> <tr> <td>16 bar</td> <td><b>J</b></td> <td>16 bar</td> <td><b>H</b></td> </tr> </tbody> </table>		Adjustment range				With round gauge		Without gauge		2 bar	<b>Z</b>	2 bar	<b>Y</b>	4 bar	<b>M</b>	4 bar	<b>L</b>	8 bar	<b>G</b>	8 bar	<b>N</b>	16 bar	<b>J</b>	16 bar	<b>H</b>
Thread type																																															
BSPP	<b>1</b>																																														
NPT	<b>9</b>																																														
Port size																																															
1/4	<b>2</b>																																														
Relief																																															
Relieving	<b>B</b>																																														
Non relieving	<b>N</b>																																														
Adjustment range																																															
With round gauge		Without gauge																																													
2 bar	<b>Z</b>	2 bar	<b>Y</b>																																												
4 bar	<b>M</b>	4 bar	<b>L</b>																																												
8 bar	<b>G</b>	8 bar	<b>N</b>																																												
16 bar	<b>J</b>	16 bar	<b>H</b>																																												
				<table border="1"> <thead> <tr> <th colspan="2">Mounting</th> </tr> </thead> <tbody> <tr> <td>Plastic panel mount nut *</td> <td><b>P</b></td> </tr> </tbody> </table> <p>* for individual mounting bracket see page:19</p>				Mounting		Plastic panel mount nut *	<b>P</b>																																				
Mounting																																															
Plastic panel mount nut *	<b>P</b>																																														

Port size	Description	Order Code	Flow dm <sup>3</sup> /s *	(scfm) *	Max bar (psi)	Height mm (Inches)	Width mm (Inches)	Depth mm (Inches)
1/4"	8 bar relieving	<b>P3LRX12BNNP</b>	9.8	(20.7)	16 (232)	79 (3.11)	40 (1.57)	40 (1.57)
1/4"	8 bar relieving + gauge	<b>P3LRX12BNGP</b>	9.8	(20.7)	16 (232)	79 (3.11)	40 (1.57)	72 (2.83)

\* flow with 10 bar (145 psi) inlet pressure, 6.3 bar (91.3 psi) set pressure and 1 bar (14.5 psi) pressure drop.

**PDE2661TCUK**  
**P3L Lite Series Air Preparation System**

**Specifications**

Flow Capacity*	1/4	9.8 dm <sup>3</sup> /s (20.7 scfm)
Operating Temperature	0°C (32°F) to 60°C (140°F)	
Max Supply Pressure	16 bar (232 psi)	
Adjusting Range Pressure	0-2 bar (30 psi) 0-4 bar (60 psi) 0-8 bar (125 psi)	
Port Size	BSPP / NPT	1/4
Gauge Port (2 ea.)	BSPP / NPSI	1/8
Weight	0.2 kg (0.44 lbs)	

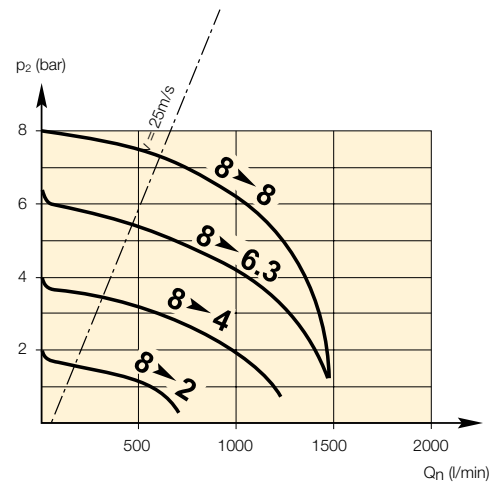
\* Inlet pressure 10 bar (145 psi), 6.3 bar (91.3 psi) set pressure and 1 bar (14.5 psi) pressure drop.

**Materials of Construction**

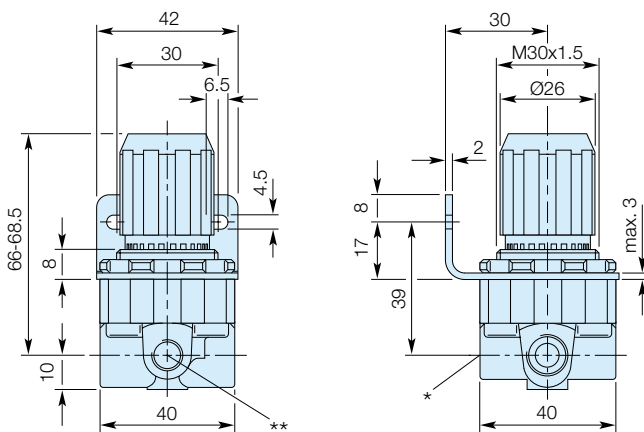
Body	Brass
Adjustment Knob	Polyamide
Bonnet	High Tech Polymer
Piston	Brass / Nitrile
Springs	Steel
Seals	Nitrile
Panel Nut	Polyamide

**Flow Charts**

**Regulator - Brass**



**Dimensions**



\* On delivery the scw plug is not assembled  
 \*\* Two opposite gauge ports 1/8

**Repair and Service Kits**

Panel mount nut - Aluminium	<b>P3LKA00MM</b>
Panel mount nut - Plastic	<b>P3LKA00MP</b>
Angle Bracket (uses panel mount threads)	<b>P3LKA00MR</b>

**Gauges**

**40mm (1 1/2") Round 1/8" centre back mount**

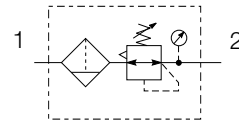
0-30 PSIG / 0-2 bar	<b>KZ8810-00</b>
0-58 PSIG / 0-4 bar	<b>KZ8811-00</b>
0-160 PSIG / 0-10 bar	<b>KZ8813-00</b>

# P3L Lite Series Air Preparation System

## P3L Lite Filter / Regulator



### Symbols



- Integral 1/4 ports (BSPP & NPT)
- High efficiency 5 micron element as standard
- Excellent water removal efficiency
- Robust but lightweight construction
- Secondary pressure ranges 2, 4 & 8 bar
- Unbalanced poppet valve standard, with solid piston control

### Options:

<b>P 3 L</b>	<b>EA</b>	<b>2</b>	<b>P</b>		<b>N</b>	<b>P</b>	
<b>Thread type</b>		<b>Drain type</b>		<b>Mounting</b>			
BSPP	<b>1</b>	Manual push	<b>P</b>	Plastic panel mount nut *			
NPT	<b>9</b>	Semi-auto	<b>S</b>				
<b>Port size</b>		<b>Relief</b>		<b>Adjustment range</b>			
1/4	<b>2</b>	Relieving	<b>B</b>	<b>With round gauge</b>		<b>Without gauge</b>	
<b>Element</b>		Non relieving	<b>N</b>	2 bar	<b>Z</b>	2 bar	<b>Y</b>
5µ Element	<b>E</b>			4 bar	<b>M</b>	4 bar	<b>L</b>
40µ Element	<b>G</b>			8 bar	<b>G</b>	8 bar	<b>N</b>
<b>Bowl type</b>							
Poly bowl	<b>P</b>						

\* for individual mounting bracket see page:19

Port size	Description	Order Code	Flow dm <sup>3</sup> /s * * (scfm)	Max bar (psi)	Height mm (Inches)	Width mm (Inches)	Depth mm (Inches)
1/4"	8 bar Relieving - Poly bowl - Manual drain	<b>P3LEA12EPPBNNP</b>	12.9 (27.3)	10 (150)	175 (6.89)	40 (1.57)	40 (1.57)
1/4"	8 bar Relieving - Poly bowl - Semi-auto drain	<b>P3LEA12EPSBNNP</b>	12.9 (27.3)	10 (150)	175 (6.89)	40 (1.57)	40 (1.57)
1/4"	8 bar Relieving - Poly bowl - Manual drain + Gauge	<b>P3LEA12EPPBNGP</b>	12.9 (27.3)	10 (150)	175 (6.89)	40 (1.57)	72 (2.83)
1/4"	8 bar Relieving - Poly bowl - Semi-auto drain + Gauge	<b>P3LEA12EPSBNGP</b>	12.9 (27.3)	10 (150)	175 (6.89)	40 (1.57)	72 (2.83)

\* flow with 10 bar (145 psi) inlet pressure, 6.3 bar (91.3 psi) set pressure and 1 bar (14.5 psi) pressure drop.

**PDE2661TCUK**  
**P3L Lite Series Air Preparation System**

**Specifications**

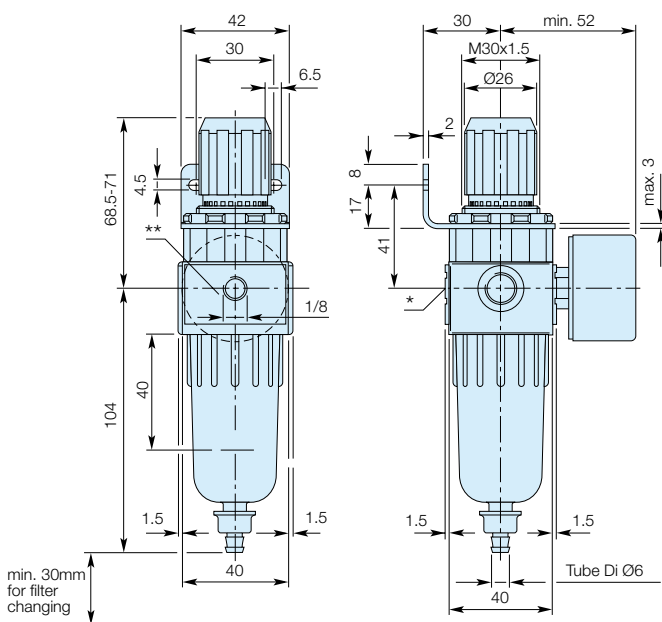
Flow Capacity*	1/4	12.9 dm <sup>3</sup> /s (27.3 scfm)
Operating Temperature	0°C (32°F) to 50°C (122°F)	
Max Supply Pressure	10 bar (150 psi)	
Standard Filtration	5 Micron	
Useful Retention	12 cm <sup>3</sup> (0.4 US oz.)	
Adjusting Range Pressure	0-2 bar (30 psi) 0-4 bar (60 psi) 0-8 bar (125 psi)	
Port Size	BSPP / NPT	1/4
Gauge Port (2 ea.)	BSPP / NPSI	1/8
Weight	0.12 kg (26 lbs)	

\* Inlet pressure 10 bar (145 psi), 6.3 bar (91.3 psi) set pressure and 1 bar (14.5 psi) pressure drop.

**Materials of Construction**

Body	High Tech Polymer
Adjustment Knob	Polyamide
Bonnet	Polyamide
Bowl	Polycarbonate
Filter element	Polyethylene
Seals	Nitrile
Springs	Steel
Piston	Brass / Nitrile
Panel Nut	Polyamide

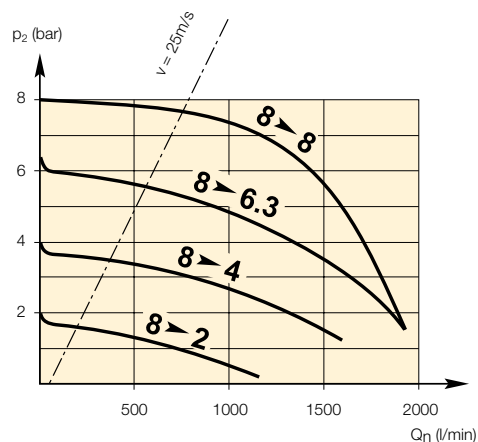
**Dimensions**



\* On delivery the screw plug is not assembled  
 \*\* Two opposite gauge ports 1/8

**Flow Charts**

**Filter / Regulator**



**Repair and Service Kits**

Plastic bowl / semi-auto drain	<b>P3LKA00BPS</b>
5µ particle filter element	<b>P3LKA00ESE</b>
40µ particle filter element	<b>P3LKA00ESG</b>
Panel mount nut - Aluminium	<b>P3LKA00MM</b>
Panel mount nut - Plastic	<b>P3LKA00MP</b>
Angle Bracket (uses panel mount threads)	<b>P3LKA00MR</b>

**Gauges**

**40mm (1 1/2") Round 1/8" centre back mount**

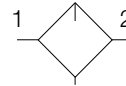
0-30 PSI / 0-2 bar	<b>KZ8810-00</b>
0-58 PSI / 0-4 bar	<b>KZ8811-00</b>
0-160 PSI / 0-10 bar	<b>KZ8813-00</b>

# P3L Lite Series Air Preparation System

## P3L Lite Lubricator



### Symbols



- Integral 1/4 ports (BSPP & NPT)
- Robust but lightweight construction
- Proportional oil delivery over a wide range of air flows.
- Screw slot control for precise oil drip rate adjustment

### Options:

<b>P 3 L</b>	<b>L A</b>		<b>2</b>	<b>L</b>	<b>P</b>	<b>N</b>	<b>N</b>
<b>Thread type</b>		<b>Port size</b>		<b>Bowl type</b>		<b>Mounting</b>	
BSPP	<b>1</b>	1/4	<b>2</b>	Poly bowl	<b>P</b>	No bracket *	<b>N</b>
NPT	<b>9</b>					* for individual mounting bracket see page:19	
<b>Type</b>				<b>Drain type</b>			
Oil mist standard sight dome				No drain; closed end			
				<b>L</b>			
				<b>N</b>			

Port size	Description	Order Code	Flow dm <sup>3</sup> /s *	(scfm) *	Max bar (psi)	Height mm (Inches)	Width mm (Inches)	Depth mm (Inches)
1/4"	Poly bowl - No drain	<b>P3LLA12LPNN</b>	23.3	(49)	10 (150)	145 (5.7)	40 (1.57)	40 (1.57)

\* flow with 6.3 bar (91.3 psi) inlet pressure and 1 bar (14.5 psi) pressure drop.



**PDE2661TCUK**  
**P3L Lite Series Air Preparation System**

**Specifications**

Flow Capacity*	1/4	23.3 dm <sup>3</sup> /s (49 scfm)
Operating Temperature		0°C (32°F) to 50°C (122°F)
Max Supply Pressure		10 bar (150 psi)
Useful Retention		12 cm <sup>3</sup> (0.4 US oz.)
Port Size	BSPP / NPT	1/4
Weight		0.09 kg (20 lbs)

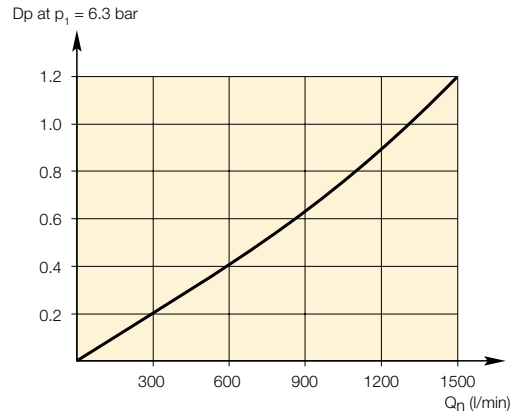
\* Inlet pressure 6.3 bar. Pressure drop 1 bar.

**Materials of Construction**

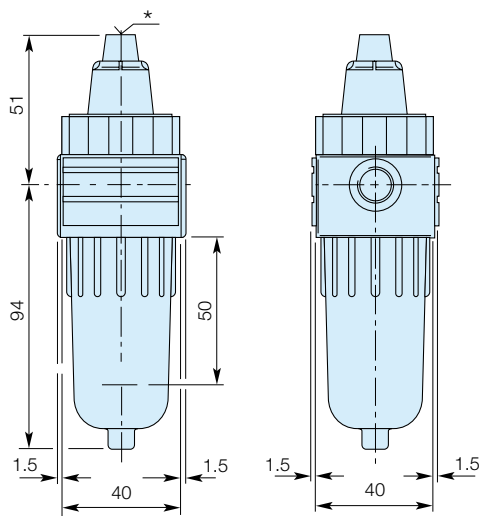
Body	High Tech Polymer
Bowl	Polycarbonate
Seals	Nitrile
Sight Dome	Polycarbonate
Suggested Lubricant	ISO / ASTM VG32

**Flow Charts**

**Lubricator**



**Dimensions**



\* Oil adjustment screw

**Repair and Service Kits**

Plastic bowl - no drain	<b>P3LKA00BPN</b>
Lubricator Oil - VG32 - 1 litre	<b>P3YKA00PPBB</b>

# P3L Lite Series Air Preparation System

## Modular Manifold

### Features

- 1/4 ported (BSPP & NPT)
- 1 take-off 1/4 Top or Bottom
- Coupling kit P3LKA00CB2 supplied with 2 sealing rings.

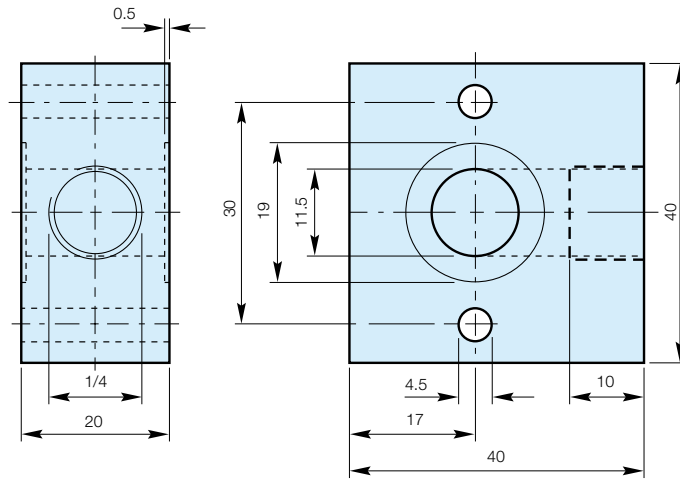
### Material

Aluminium - Black anodised

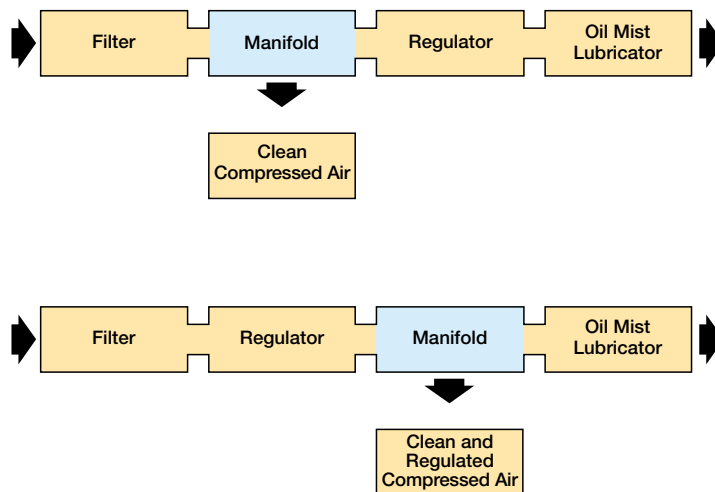


Description	Order code BSPP	Order code NPT	Weight (g)
1/4"	<b>P3LMA12020C</b>	<b>P3LMA92020C</b>	95




### Dimensions (mm)



### Installation Instructions



**Accessories Kits**

Description	Order Code	
Panel Mount Nut (Plastic)	<b>P3LKA00MP</b>	
Panel Mount Nut (Aluminium)	<b>P3LKA00MM</b>	
5µ Element Kit	<b>P3LKA00ESE</b>	
40µ Element Kit	<b>P3LKA00ESG</b>	
0.01µ Element Kit	<b>P3LKA00ESC</b>	
Adsorber Element Kit	<b>P3LKA00ESA</b>	
Individual mounting bracket fits - Filter & Lubricator	<b>P3LKA00MW</b>	
Angle mounting bracket fits - Regulator & Filter Regulator	<b>P3LKA00MR</b>	
Gauge 0 - 2 bar Gauge 0 - 4 bar Gauge 0 - 10 bar	<b>KZ8810-00</b> <b>KZ8811-00</b> <b>KZ8813-00</b>	
Modular connector kit fits - Regulator or Filter Regulator + Filter or Lubricator Regulator or Filter Regulator + Manifold + Filter or Lubricator Regulator or Filter Regulator + Filter + Filter Filter + Lubricator	<b>P3LKA00CB1</b> <b>P3LKA00CB2</b> <b>P3LKA00CB3</b> <b>P3LKA00CB4</b>	

# Parker Worldwide

## Europe, Middle East, Africa

**AE – United Arab Emirates,** Dubai

Tel: +971 4 8127100  
parker.me@parker.com

**AT – Austria,** Wiener Neustadt

Tel: +43 (0)2622 23501-0  
parker.austria@parker.com

**AT – Eastern Europe,** Wiener Neustadt

Tel: +43 (0)2622 23501 900  
parker.easteurope@parker.com

**AZ – Azerbaijan,** Baku

Tel: +994 50 2233 458  
parker.azerbaijan@parker.com

**BE/LU – Belgium,** Nivelles

Tel: +32 (0)67 280 900  
parker.belgium@parker.com

**BY – Belarus,** Minsk

Tel: +375 17 209 9399  
parker.belarus@parker.com

**CH – Switzerland,** Etoy

Tel: +41 (0)21 821 87 00  
parker.switzerland@parker.com

**CZ – Czech Republic,** Klecany

Tel: +420 284 083 111  
parker.czechrepublic@parker.com

**DE – Germany,** Kaarst

Tel: +49 (0)2131 4016 0  
parker.germany@parker.com

**DK – Denmark,** Ballerup

Tel: +45 43 56 04 00  
parker.denmark@parker.com

**ES – Spain,** Madrid

Tel: +34 902 330 001  
parker.spain@parker.com

**FI – Finland,** Vantaa

Tel: +358 (0)20 753 2500  
parker.finland@parker.com

**FR – France,** Contamine s/Arve

Tel: +33 (0)4 50 25 80 25  
parker.france@parker.com

**GR – Greece,** Athens

Tel: +30 210 933 6450  
parker.greece@parker.com

**HU – Hungary,** Budapest

Tel: +36 1 220 4155  
parker.hungary@parker.com

**IE – Ireland,** Dublin

Tel: +353 (0)1 466 6370  
parker.ireland@parker.com

**IT – Italy,** Corsico (MI)

Tel: +39 02 45 19 21  
parker.italy@parker.com

**KZ – Kazakhstan,** Almaty

Tel: +7 7272 505 800  
parker.easteurope@parker.com

**NL – The Netherlands,** Oldenzaal

Tel: +31 (0)541 585 000  
parker.nl@parker.com

**NO – Norway,** Asker

Tel: +47 66 75 34 00  
parker.norway@parker.com

**PL – Poland,** Warsaw

Tel: +48 (0)22 573 24 00  
parker.poland@parker.com

**PT – Portugal,** Leca da Palmeira

Tel: +351 22 999 7360  
parker.portugal@parker.com

**RO – Romania,** Bucharest

Tel: +40 21 252 1382  
parker.romania@parker.com

**RU – Russia,** Moscow

Tel: +7 495 645-2156  
parker.russia@parker.com

**SE – Sweden,** Spånga

Tel: +46 (0)8 59 79 50 00  
parker.sweden@parker.com

**SK – Slovakia,** Banská Bystrica

Tel: +421 484 162 252  
parker.slovakia@parker.com

**SL – Slovenia,** Novo Mesto

Tel: +386 7 337 6650  
parker.slovenia@parker.com

**TR – Turkey,** Istanbul

Tel: +90 216 4997081  
parker.turkey@parker.com

**UA – Ukraine,** Kiev

Tel: +380 44 494 2731  
parker.ukraine@parker.com

**UK – United Kingdom,** Warwick

Tel: +44 (0)1926 317 878  
parker.uk@parker.com

**ZA – South Africa,** Kempton Park

Tel: +27 (0)11 961 0700  
parker.southafrica@parker.com

## North America

**CA – Canada,** Milton, Ontario

Tel: +1 905 693 3000

**US – USA,** Cleveland

Tel: +1 216 896 3000

## Asia Pacific

**AU – Australia,** Castle Hill

Tel: +61 (0)2-9634 7777

**CN – China,** Shanghai

Tel: +86 21 2899 5000

**HK – Hong Kong**

Tel: +852 2428 8008

**IN – India,** Mumbai

Tel: +91 22 6513 7081-85

**JP – Japan,** Tokyo

Tel: +81 (0)3 6408 3901

**KR – South Korea,** Seoul

Tel: +82 2 559 0400

**MY – Malaysia,** Shah Alam

Tel: +60 3 7849 0800

**NZ – New Zealand,** Mt Wellington

Tel: +64 9 574 1744

**SG – Singapore**

Tel: +65 6887 6300

**TH – Thailand,** Bangkok

Tel: +662 186 7000-99

**TW – Taiwan,** Taipei

Tel: +886 2 2298 8987

## South America

**AR – Argentina,** Buenos Aires

Tel: +54 3327 44 4129

**BR – Brazil,** Sao Jose dos Campos

Tel: +55 800 727 5374

**CL – Chile,** Santiago

Tel: +56 2 623 1216

**MX – Mexico,** Apodaca

Tel: +52 81 8156 6000

European Product Information Centre

Free phone: 00 800 27 27 5374

(from AT, BE, CH, CZ, DE, DK, EE, ES, FI, FR, IE, IL, IS, IT, LU, MT, NL, NO, PL, PT, RU, SE, SK, UK, ZA)

### Parker Hannifin Ltd.

Tachbrook Park Drive  
Tachbrook Park,  
Warwick, CV34 6TU  
United Kingdom  
Tel.: +44 (0) 1926 317 878  
Fax: +44 (0) 1926 317 855  
parker.uk@parker.com  
www.parker.com

