



aerospace
climate control
electromechanical
filtration
fluid & gas handling
hydraulics
pneumatics
process control
sealing & shielding



Stainless Steel FRLs

Air Preparation Units

Catalogue PDE2504TCUK May 2014



ENGINEERING YOUR SUCCESS.

Stainless Steel FRLs



WARNING

FAILURE OR IMPROPER SELECTION OR IMPROPER USE OF THE PRODUCTS AND/OR SYSTEMS DESCRIBED HEREIN OR RELATED ITEMS CAN CAUSE DEATH, PERSONAL INJURY AND PROPERTY DAMAGE.

This document and other information from Parker Hannifin Corporation, its subsidiaries and authorized distributors provide product and/or system options for further investigation by users having technical expertise. It is important that you analyze all aspects of your application and review the information concerning the product or system in the current product catalog. Due to the variety of operating conditions and applications for these products or systems, the user, through its own analysis and testing, is solely responsible for making the final selection of the products and systems and assuring that all performance, safety and warning requirements of the application are met. The products described herein, including without limitation, product features, specifications, designs, availability and pricing, are subject to change by Parker Hannifin Corporation and its subsidiaries at any time without notice.

SALE CONDITIONS

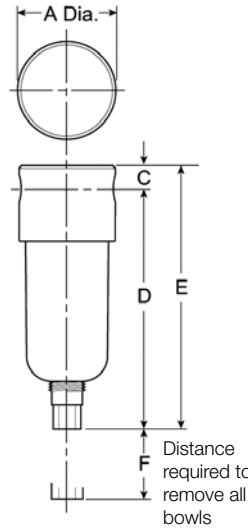
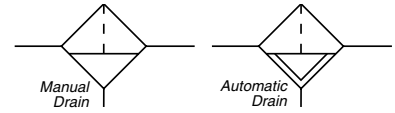
The items described in this document are available for sale by Parker Hannifin Corporation, its subsidiaries or its authorized distributors. Any sale contract entered into by Parker will be governed by the provisions stated in Parker's standard terms and conditions of sale (copy available upon request).

PF504 Filter - Miniature.....	4 - 5
PF501 Coalescing Filter - Miniature	6 - 7
PR354, PR364 Regulator - Miniature.....	8 - 9
PB548, PB558 Filter / Regulator - Miniature	10 - 11
PF10 Filter - Standard	12 - 13
PF11 Coalescing Filter - Standard	14 - 15
PR10, PR11 Regulator - Standard.....	16 - 17
PB11, PB12 Filter / Regulator - Standard	18 - 19
PL10 Lubricator - Standard	20 - 21

PF504 Filter – Miniature

Features

- Stainless steel construction handles most corrosive environments
- Fluorocarbon seals standard
- Meets NACE specifications MR-01-75/ISO 15156
- High flow: 1/4" - 10.85 dm³/s[§]
- 1/8" female threaded drain

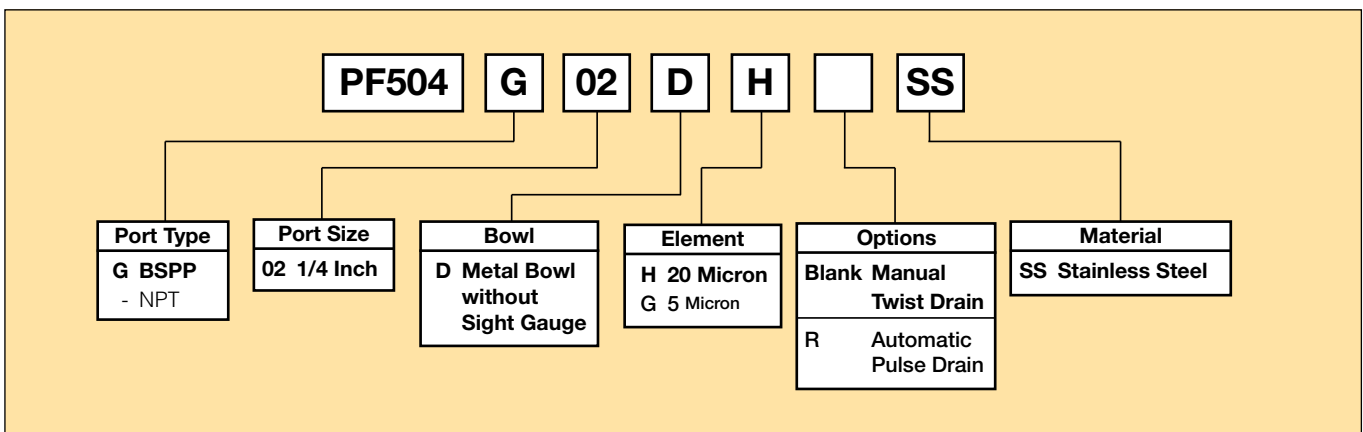


Port Size	BSPP	NPT
	Manual Twist Drain	Manual Twist Drain
1/4"	PF504G02DHSS	PF504-02DHSS

PF504 Filter Dimensions (mm)		
A	C	D
40	8	94
E	F	
102	40	

Standard part numbers shown bold.
 For other models refer to ordering information below.
[§] dm³/s = Flow at 6.2 bar and a 0.3 bar pressure drop.

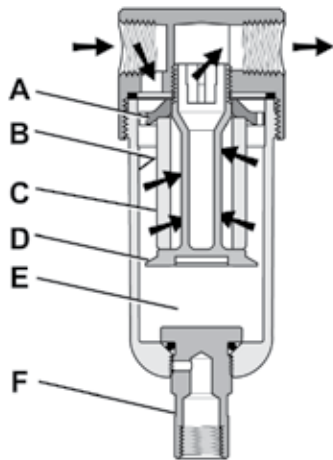
Ordering Information



BOLD ITEMS ARE MOST POPULAR.

Technical Specifications – PF504

Operation



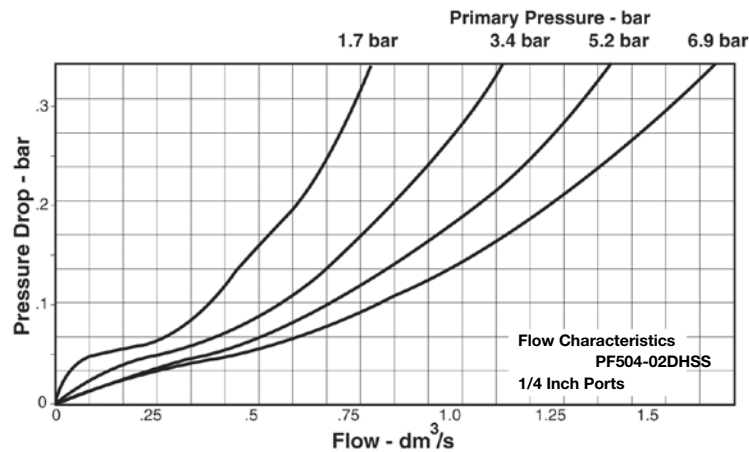
First Stage Filtration:

Air enters at inlet port and flows through deflector plate (A) which causes a swirling action. Liquids and coarse particles are forced to the bowl interior wall (B) by the centrifugal action of the swirling air. They are then carried down the bowl wall by the force of gravity. The baffle (D) separates the lower portion of the bowl into a “quiet zone” (E) where the removed liquid and particles collect, unaffected by the swirling air, and are therefore not reentrained into the flowing air.

Second Stage Filtration:

After liquids and large particles are removed in the first stages of filtration, the air flows through element (C) where smaller particles are filtered out. The filtered air then passes downstream. Collected liquids and particles in the “quiet zone” (E) should be drained before their level reaches a height where they would be reentrained in the flowing air. This can be accomplished by unscrewing the drain valve (F) slightly until the liquid begins to drain.

Technical Information



PF504 Filter Kits & Accessories

Filter Element Kits –	
Particulate (5 Micron).....	EK504VY
Particulate (20 Micron).....	EK504Y
Drain Kits -	
Automatic Pulse Drain.....	RK504SY-SS
Manual Twist Drain –	
Small (Old)	SA600Y7-1SS
Large (New)	SAP05481
Pipe Nipple –	
1/4" NPT 316 Stainless Steel	616Y28-SS
1/4" BSPT 316 Stainless Steel	AC-2SS

Specifications

Bowl Capacity	29 cm ³
Filter Rating	20 Micron
Sump Capacity	12 cm ³
Port Threads	1/4 Inch

Pressure & Temperature Ratings –

Manual Twist Drain	0 to 20.7 bar
	-18°C to 82°C
Auto Pulse Drain	0 to 12 bar
	0°C to 66°C

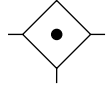
Note: Air must be dry enough to avoid ice formation at temperatures below 2°C.

Weight

Materials of Construction

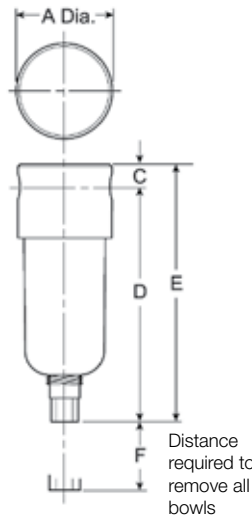
Body	316 Stainless Steel
Bowls	316 Stainless Steel
Deflector	Acetal
Drain	316 Stainless Steel
Element Holder	Acetal
Filter Element	Polyethylene
Seals	Fluorocarbon

PF501 Coalescing Filter – Miniature



Features

- Stainless steel construction handles most corrosive environments
- Meets NACE specifications MR-01-75/ISO 15156
- High flow: 1/4" - 755 dm³/s[§]
- 1/8" female threaded drain



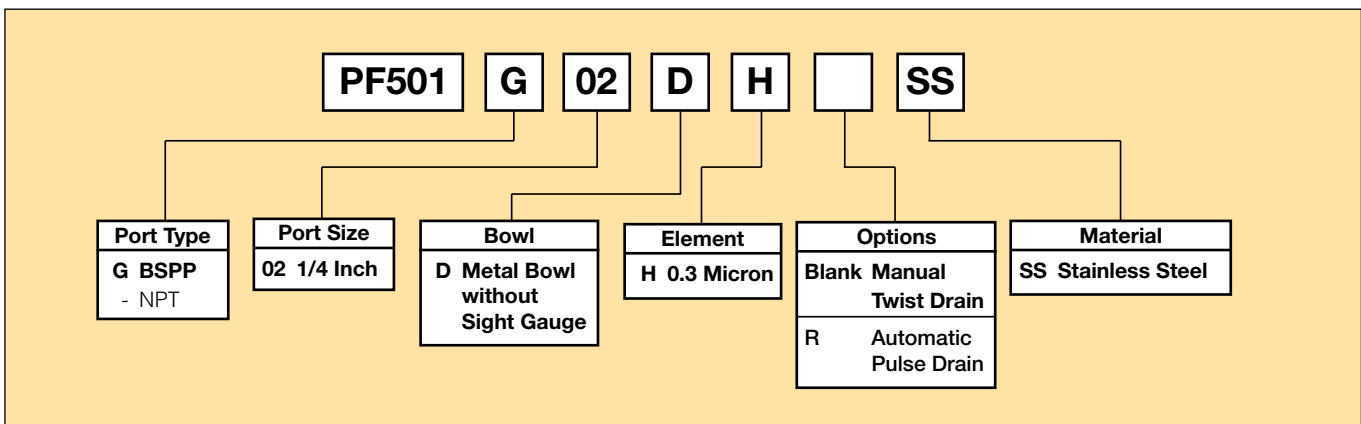
Port Size	BSPP	NPT
	Manual Twist Drain	Manual Twist Drain
1/4"	PF501G02DHSS	PF501-02DHSS

PF501 Coalescing Filter Dimensions (mm)		
A 40	C 8	D 94
E 102	F 40	

Standard part numbers shown bold.
For other models refer to ordering information below.

[§] dm³/s = Flow at 6.2 bar and a 0.3 bar pressure drop.

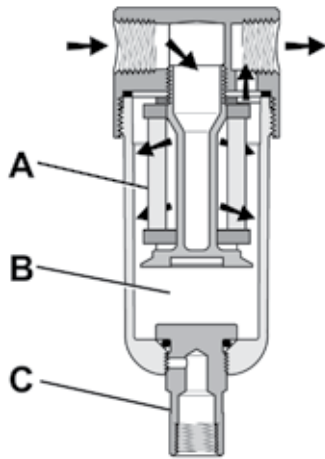
Ordering Information



BOLD ITEMS ARE MOST POPULAR.

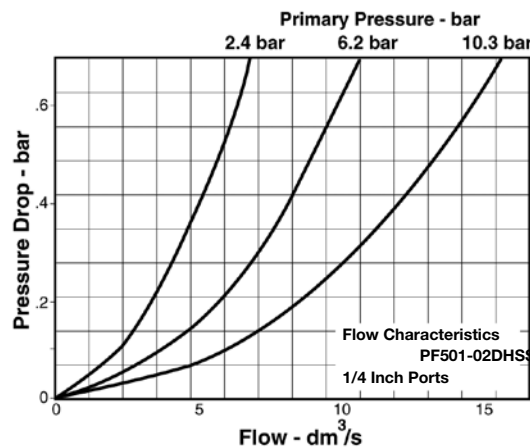
Technical Specifications – PF501

Operation



The contaminated air enters the element interior and is forced through a thick membrane (A) of “borosilicate” glass fibers coated with epoxy. Flow then passes through the element, and at this stage 99.97% of the sub micronic particles have been removed from the air stream. The tiny droplets coalesce together and are collected from the filter element by the outer drain layer. The clean, filtered air now passes through and out into the pneumatic system. The air line coalescing filter removes liquid aerosols and sub-micron particulate matter. Collected liquids and particles in the “quiet zone” (B) should be drained before their level reaches a height where they would be reentrained in the flowing air. This can be accomplished by unscrewing the drain valve (C) slightly until the liquid begins to drain.

Technical Information



F501 Filter Kits & Accessories

- Filter Element Kits –**
 - 0.3 MicronEKF501H
- Drain Kits -**
 - Automatic Pulse Drain.....RK504SY-SS
- Manual Twist Drain –**
 - Small (Old)SA600Y7-1SS
 - Large (New)SAP05481
- Pipe Nipple –**
 - 1/4" NPT 316 Stainless Steel..... 616Y28-SS
 - 1/4" BSPT 316 Stainless Steel.....AC-2SS

Pressure & Temperature Ratings –

- Manual Twist Drain 0 to 20.7 bar
-18°C to 82°C
- Auto Pulse Drain..... 0 to 12 bar
0°C to 66°C

Note: Air must be dry enough to avoid ice formation at temperatures below 2°C.

- Sump Capacity** 12 cm³
- Weight** 275 g

Materials of Construction

- Body** 316 Stainless Steel
- Bowls** 316 Stainless Steel
- Drain** 316 Stainless Steel
- Element Holder** Acetal
- Filter Element** Borosilicate Fiber
- Seals** Fluorocarbon

Specifications

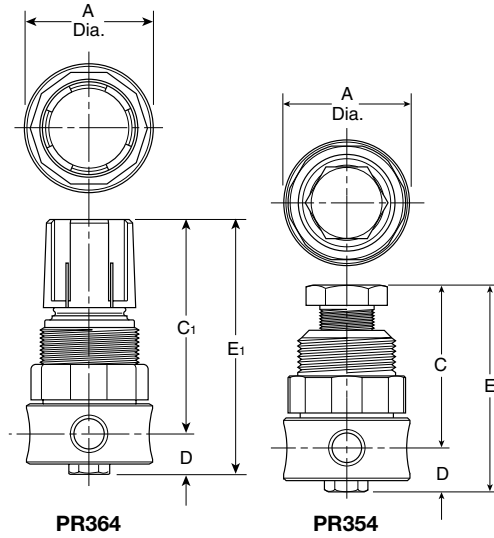
- Bowl Capacity** 29 cm³
- Filter Rating** 0.3 Micron
- Port Threads** 1/4 Inch



PR354, PR364 Regulator – Miniature

Features

- Stainless steel construction handles most corrosive environments
- Large diaphragm to valve area ratio for precise regulation and high flow capacity
- Meets NACE specifications MR-01-75/ISO 15156
- High flow: 1/4" – 5.75 dm³/s[§]



PR364



PR354

Series	Adjustment Type	Port Size	BSP	NPT
PR364	Knob	1/4"	PR364G02CSS	PR364-02CSS
PR354	All Metal	1/4"	PR354G02CSS	PR354-02CSS

PR354, PR364 Regulator Dimensions (mm)		
A 40	C 51	C₁ 65
D 13	E 64	E₁ 78

Standard part numbers shown bold.

For other models refer to ordering information below.

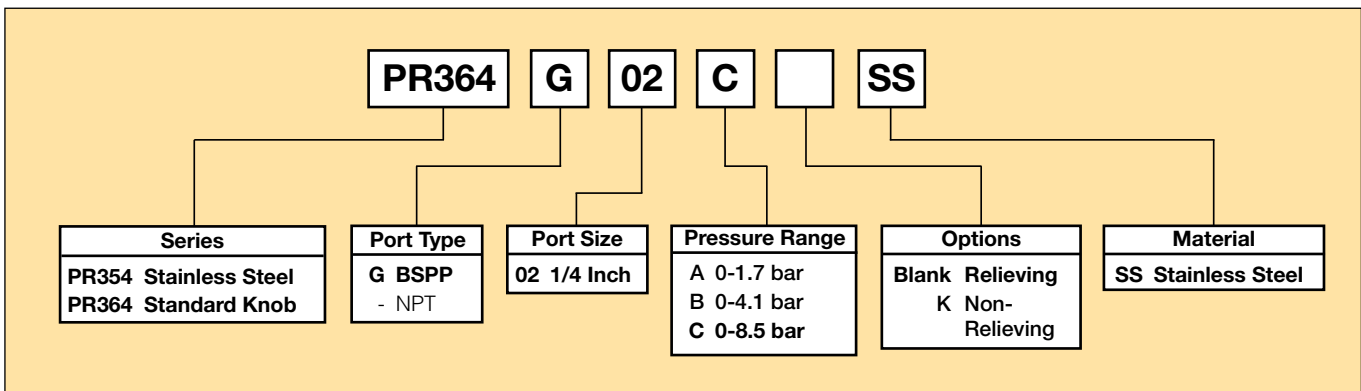
[§] dm³/s = 7 bar inlet pressure with 5.5 bar set pressure and 1 bar pressure drop.

(mm)
NOTE: 32mm dia. hole required for panel mounting.

⚠ WARNING

**Product rupture can cause serious injury.
Do not connect regulator to bottled gas.
Do not exceed maximum primary pressure rating.**

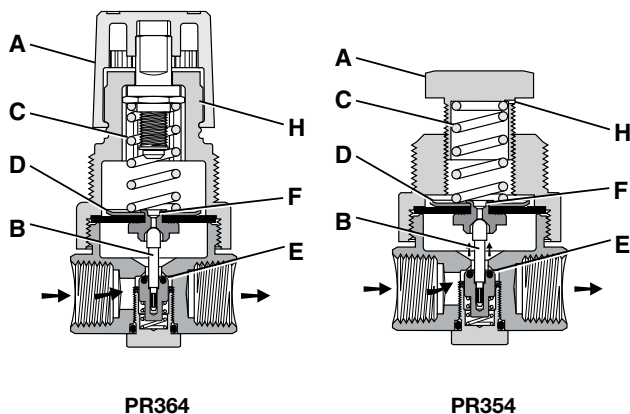
Ordering Information



BOLD ITEMS ARE MOST POPULAR.

Technical Specifications – PR354, PR364

Operation



With the adjusting knob (A) turned fully counter-clockwise (no spring load), and pressure supplied to the regulator inlet port, the valve poppet assembly (B) is closed. Turning the adjusting knob clockwise applies a load to control spring (C). This load causes the diaphragm (D) and the valve poppet assembly (B) to move downward allowing flow across the seat area (E) created between the poppet assembly and the seat. Pressure in the downstream line is sensed below the diaphragm (D) and offsets the load of spring (C). As downstream pressure rises, poppet assembly (B) and diaphragm (D) move upward until the area (E) is closed and the load of the spring (C) and pressure under diaphragm (D) are in balance. A reduced outlet pressure has now been obtained, depending on spring load. Creating a demand downstream, such as opening a valve, results in a reduced pressure under the diaphragm (D). The load of control spring (C) now causes the poppet assembly to move downward opening seat area (E) allowing air to flow to meet the downstream demand. The flow of downstream air is metered by the amount of opening (E). Should downstream pressure exceed the desired regulated pressure, the excess pressure will cause the diaphragm (D) to move upward against control spring (C), open vent hole (F), and vent the excess pressure to atmosphere through the hole in the bonnet (H). (This occurs in the relieving type regulator only.)

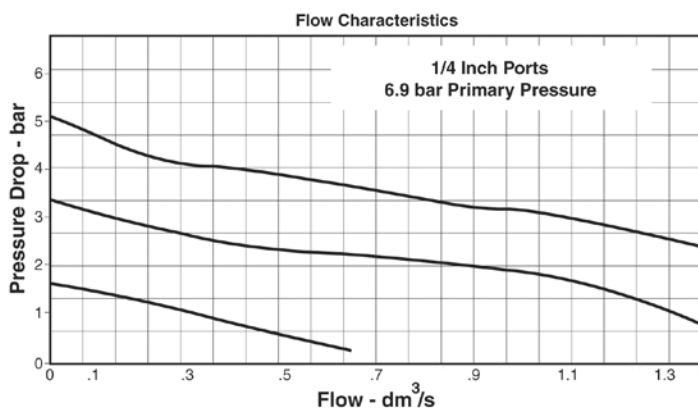
Technical Information

CAUTION:

REGULATOR PRESSURE ADJUSTMENT –

The working range of knob adjustment is designed to permit outlet pressures within their full range. Pressure adjustment beyond this range is also possible because the knob is not a limiting device. This is a common characteristic of most industrial regulators, and limiting devices may be obtained only by special design.

For best performance, regulated pressure should always be set by increasing the pressure up to the desired setting.



R354, R364 Regulator Kits & Accessories

R354 Bonnet Kit	CKR354YSS
R364 Bonnet Kit (Knob Included)	CKR364YSS
Gauge – 0 to 10 bar	
BSPP	M1/4G40S-10
NPT	K4520N14160SS
Panel Mount Bracket (Stainless)	161X57-SS
Panel Mount Nut –	
Stainless	R05X51SS
Plastic	R05X51-P
Pipe Nipple –	
1/4" NPT 316 Stainless Steel	616Y28-SS
1/4" BSPT 316 Stainless Steel	AC-2SS
Service Kit –	
Relieving	RKR364YSS
Non-Relieving	RKR364KYSS

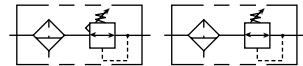
Specifications

Gauge Port	1/4 Inch
Operation	Fluorocarbon Diaphragm
Port Threads	1/4 Inch
Pressure & Temperature Ratings –	
PR354	20.7 bar
PR364	20.7 bar
PR354	-18°C to 82°C
PR364	-18°C to 66°C
Note: Air must be dry enough to avoid ice formation at temperatures below 2°C.	
Weight	230 g

Materials of Construction

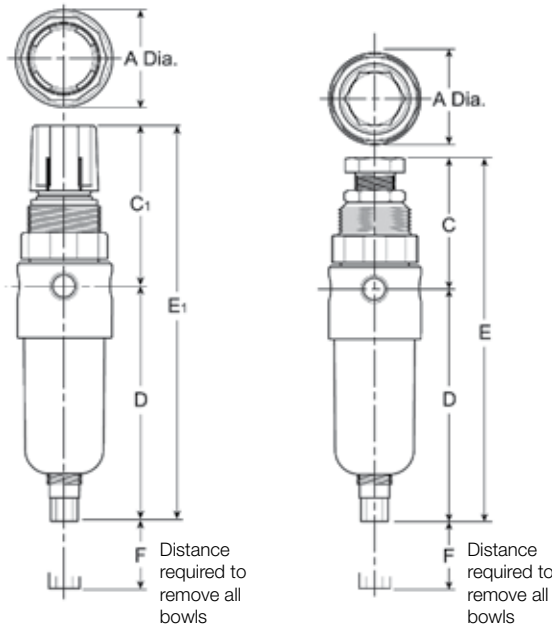
Adjustment Mechanism / Springs	316 Stainless Steel
Adjusting Knob (PR354)	316 Stainless Steel
Adjusting Knob (PR364)	Polypropylene
Body	316 Stainless Steel
Bonnet (PR354)	316 Stainless Steel
Bonnet (PR364)	Acetal
Bottom Plug	316 Stainless Steel
Poppet	316 Stainless Steel
Seals	Fluorocarbon

PB548, PB558 Filter / Regulator – Miniature



Features

- Stainless steel construction handles most corrosive environments
- Large diaphragm to valve area ratio for precise regulation and high flow capacity
- Meets NACE specifications MR-01-75/ISO 15156.
- High flow: 1/4" – 5.75 dm³/s[§]
- 1/8" female threaded drain



Port Size	BSPP	NPT
1/4"	PB548G02DHCSS	PB548-02DHCSS
1/4"	PB558G02DHCSS	PB558-02DHCSS

PB548, PB558 Piggyback Dimensions (mm)		
A 40	C 55	C₁ 67
D 92	E 78	E₁ 147
F 40		

Standard part numbers shown bold.

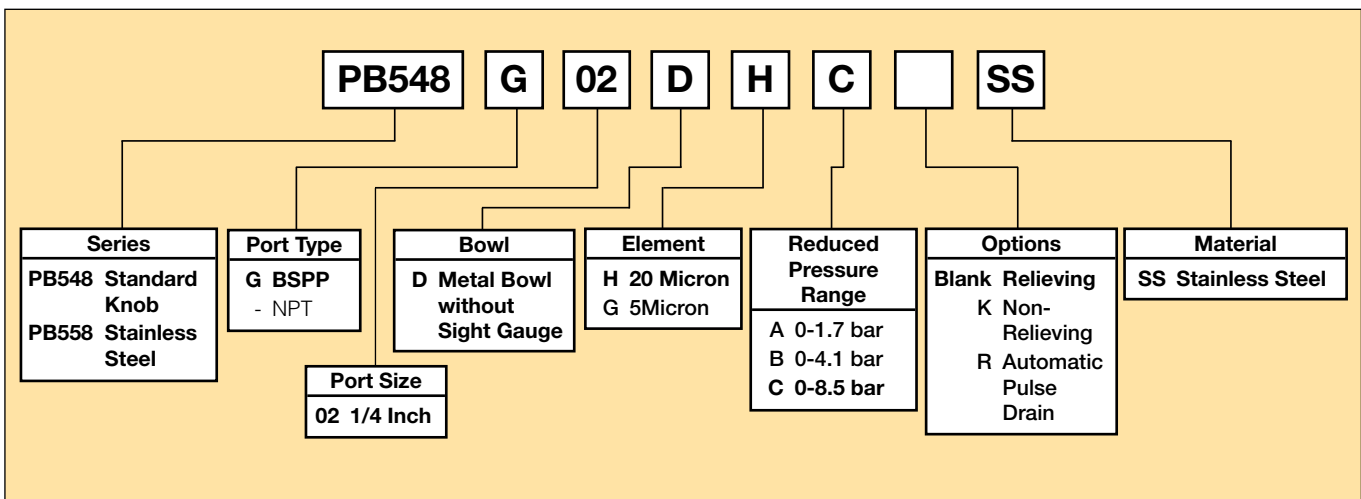
For other models refer to ordering information below.

[§] dm³/s = 7 bar inlet pressure with 5.5 bar set pressure and 1 bar pressure drop.

(mm)
NOTE: 32mm dia. hole required for panel mounting.

⚠ WARNING
<p>Product rupture can cause serious injury. Do not connect regulator to bottled gas. Do not exceed maximum primary pressure rating.</p>

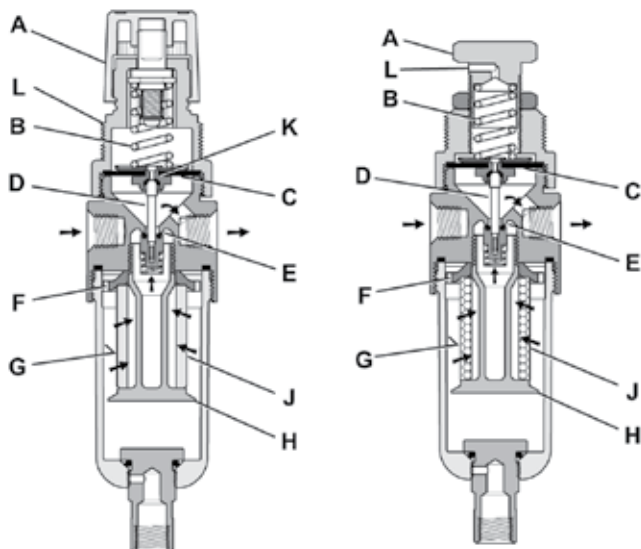
Ordering Information



BOLD ITEMS ARE MOST POPULAR.

Technical Specifications – PB548, PB558

Operation



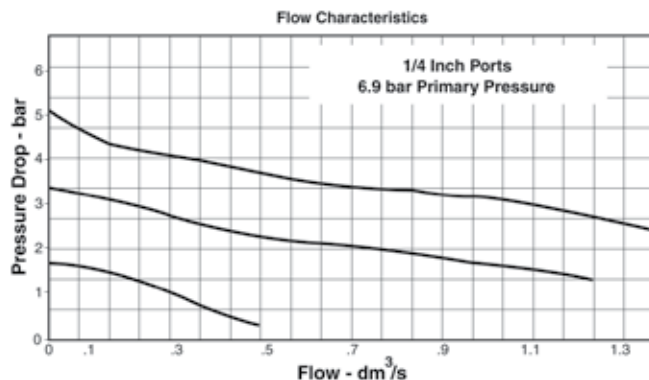
Turning the adjusting knob clockwise applies a load to control spring (B) which forces diaphragm (C) and valve poppet assembly (D) to move downward allowing filtered air to flow through the seat area (E) created between the poppet assembly and the seat. "First stage filtration". Air pressure supplied to the inlet port is directed through deflector plate (F) causing a swirling centrifugal action forcing liquids and coarse particles to the inner bowl wall (G) and down below the lower baffle (H) to the quiet zone. After liquids and large particles are removed in the first stage of filtration "second stage filtration" occurs as air flows through element (J) where smaller particles are filtered out and retained. The air flow now passes through seat area (E) to the outlet port of the unit. Pressure in the downstream line is sensed below the diaphragm (C) and offsets the load of spring (B). When downstream pressure reaches the set-point, poppet valve assembly (D) and diaphragm (C) move upward closing seat area (E). Should downstream pressure exceed the desired regulated pressure, the excess pressure will cause the diaphragm (C) to move upward opening vent hole (K) venting the excess pressure to atmosphere through the hole in the bonnet (L). (This occurs in the standard relieving type filter/regulators only.)

Technical Information

CAUTION:

REGULATOR PRESSURE ADJUSTMENT – The working range of knob adjustment is designed to permit outlet pressures within their full range. Pressure adjustment beyond this range is also possible because the knob is not a limiting device. This is a common characteristic of most industrial regulators, and limiting devices may be obtained only by special design.

For best performance, regulated pressure should always be set by increasing the pressure up to the desired setting.



PB548, B558 Regulator Kits & Accessories

Filter Element Kits –

- Particulate (5 Micron).....EK504VY
- Particulate (20 Micron).....EK504Y

Gauge – 0 - 10 bar

- BSPBM1/4G40S-10
- NPTK4520N14160SS

Drain Kits -

- Automatic Pulse Drain.....RK504SY-SS
- Manual Twist Drain -
- Small (Old).....SA600Y7-1SS
- Large (New).....SAP05481

Panel Mount Bracket (Stainless).....161X57-SS

Panel Mount Nut –

- StainlessR05X51SS
- PlasticR05X51-P

Pipe Nipple –

- 1/4" NPT 316 Stainless Steel.....616Y28-SS
- 1/4" BSPT 316 Stainless Steel.....AC-2SS

Service Kit –

- RelievingRK549YSS
- Non-Relieving.....RK548YSS

Specifications

- Bowl Capacity 29 cm³
- Filter Rating 20 Micron
- Gauge Port 1/4 Inch
- Operation Fluorocarbon Diaphragm
- Port Threads 1/4 Inch
- Pressure & Temperature Ratings –
- PB548.....20.7 bar max.
-18°C to 82°C
- PB558.....20.7 bar max.
-18°C to 82°C
- Auto Pulse Drain.....0 to 12 bar max.
0°C to 66°C

Note: Air must be dry enough to avoid ice formation at temperatures below 2°C.

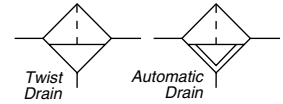
- Sump Capacity 12 cm³
- Weight 270 g

Materials of Construction

- Adjustment Mechanism / Springs316 Stainless Steel
- Body316 Stainless Steel
- Bonnet (PB548)Acetal
- Bonnet (PB558)316 Stainless Steel
- Bottom Plug316 Stainless Steel
- Knob (PB548)Polypropylene
- Knob (PB558)316 Stainless Steel
- Poppet316 Stainless Steel
- SealsFluorocarbon

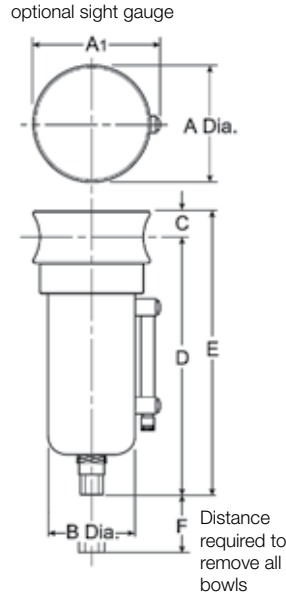


PF10 Filter – Standard



Features

- Stainless steel construction handles most corrosive environments
- Meets NACE specifications MR-01-75/ISO 15156
- High flow: 1/2" - 34 dm³/s[§]
- 1/8" female threaded drain



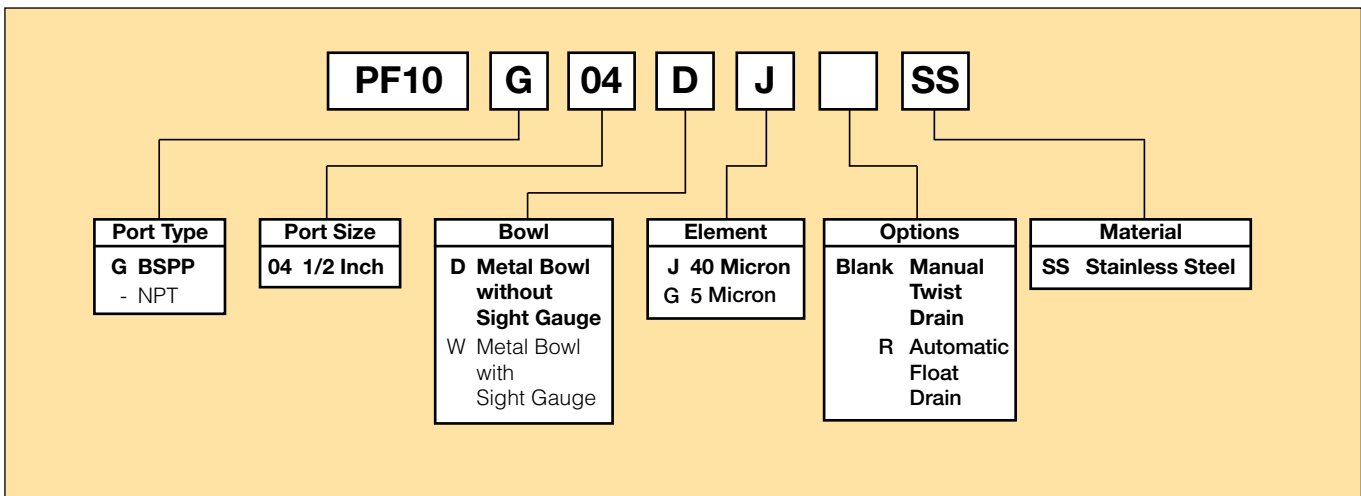
Port Size	BSPP		NPT	
	Manual Twist Drain	Automatic Float Drain	Manual Twist Drain	Automatic Float Drain
1/2"	Metal Bowl Without Sight Gauge			
	PF10G04DJSS	PF10G04DJRSS	PF10-04DJSS	PF10-04DJRSS

PF10 Filter Dimensions (mm)		
A 60	A1 64	B 44
C 14	D 127	E 141
F 54		

Standard part numbers shown bold.
For other models refer to ordering information below.
[§] dm³/s = Flow at 6.2 bar and a 0.3 bar pressure drop.

(mm)

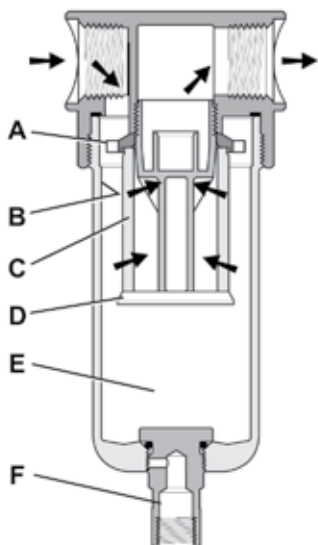
Ordering Information



BOLD ITEMS ARE MOST POPULAR.

Technical Specifications – PF10

Operation



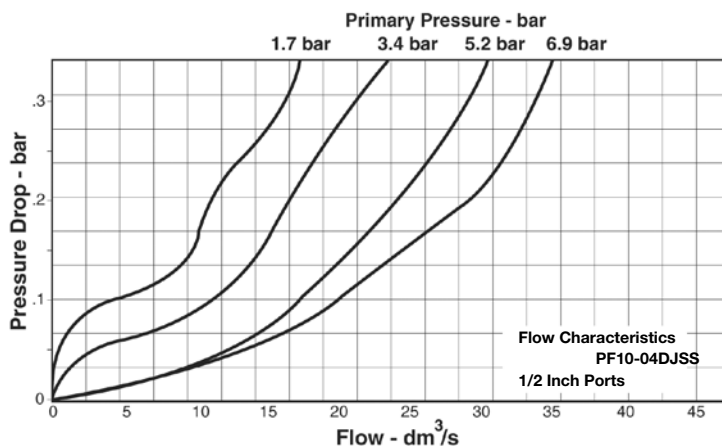
First Stage Filtration:

Air enters at inlet port and flows through deflector plate (A) which causes a swirling action. Liquids and coarse particles are forced to the bowl interior wall (B) by the centrifugal action of the swirling air. They are then carried down the bowl wall by the force of gravity. The baffle (D) separates the lower portion of the bowl into a “quiet zone” (E) where the removed liquid and particles collect, unaffected by the swirling air, and are therefore not reentrained into the flowing air.

Second Stage Filtration:

After liquids and large particles are removed in the first stages of filtration, the air flows through element (C) where smaller particles are filtered out. The filtered air then passes downstream. Collected liquids and particles in the “quiet zone” (E) should be drained before their level reaches a height where they would be reentrained in the flowing air. This can be accomplished by unscrewing the drain valve (F) slightly until the liquid begins to drain.

Technical Information



PF10 Filter Kits & Accessories

- Drain Kit –**
 - Automatic Float Drain SA10MDSS
 - Manual Twist Drain–
 - Small (Old) SA600Y7-1SS
 - Large (New) SAP05481
- Filter Element Kits –**
 - Particulate (40 Micron) EK55J
 - Particulate (5 Micron) EK55G
- Pipe Nipple – 1/2" NPT 316 Stainless Steel 616A28-SS**
 - 1/2" BSPT 316 Stainless Steel AC-4SS

Pressure & Temperature Ratings –

- Manual Twist Drain (D) 0 to 20.7 bar
-18°C to 82°C
- Manual Twist Drain (W) 0 to 17.2 bar
-18°C to 66°C
- Automatic Float Drain 0 to 12 bar
0°C to 66°C

Note: Air must be dry enough to avoid ice formation at temperatures below 2°C.

Weight 850 g

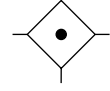
Materials of Construction

- Body** 316 Stainless Steel
- Bowls** 316 Stainless Steel
- Deflector** Acetal
- Drain** 316 Stainless Steel
- Element Holder** Acetal
- Filter Element** Polyethylene
- Seals** Fluorocarbon
- Sight Gauge** Isoplast

Specifications

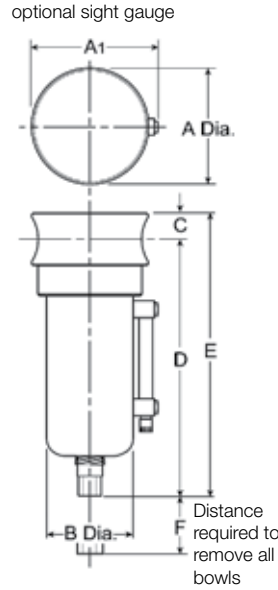
- Bowl Capacity** 118 cm³
- Filter Rating** 40 Micron
- Sump Capacity** 50 cm³
- Port Threads** 1/2 Inch

PF11 Coalescing Filter – Standard



Features

- Stainless steel construction handles most corrosive environments
- Meets NACE specifications MR-01-75/ISO 15156
- High flow: 1/2" - 21 dm³/s[§]
- 1/8" female threaded drain
- High efficiency 0.01µm filtration
- Removes liquid aerosols and sub micron particles



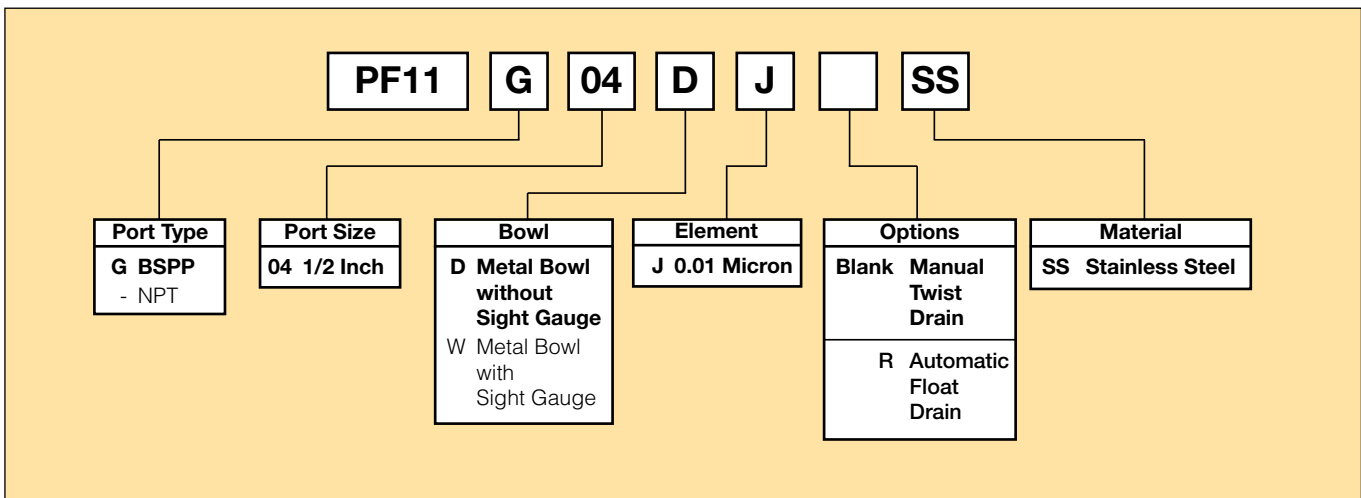
Port Size	BSPP		NPT	
	Manual Twist Drain	Automatic Float Drain	Manual Twist Drain	Automatic Float Drain
1/2"	Metal Bowl Without Sight Gauge			
	PF11G04DJSS	PF11G04DJRSS	PF11-04DJSS	PF11-04DJRSS

F11 Coalescing Filter Dimensions (mm)		
A 60	A1 64	B 44
C 14	D 127	E 141
F 54		

Standard part numbers shown bold.
 For other models refer to ordering information below.
[§] dm³/s = Flow at 6.2 bar and a 0.3 bar pressure drop.

(mm)

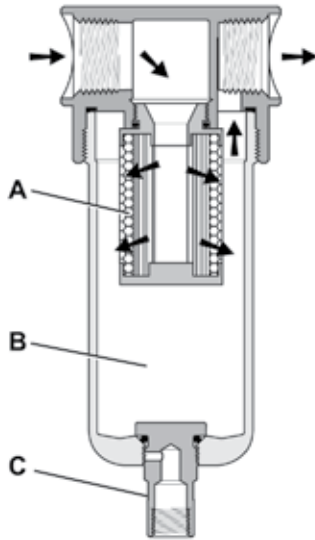
Ordering Information



BOLD ITEMS ARE MOST POPULAR.

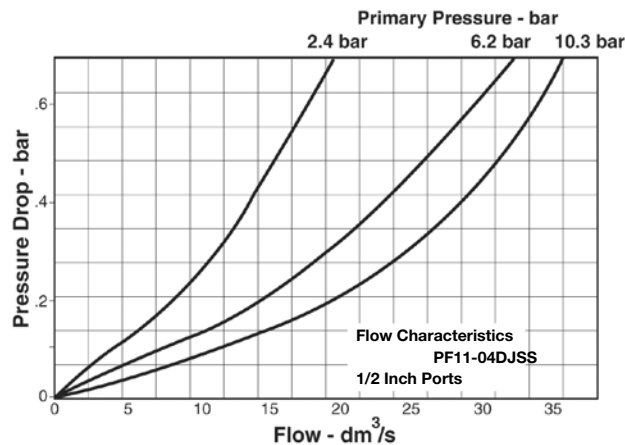
Technical Specifications – PF11

Operation



The contaminated air enters the element interior and is forced through a thick membrane (A) of “borosilicate” glass fibers coated with epoxy. Flow then passes through the element, and at this stage 99.97% of the sub micronic particles have been removed from the air stream. The tiny droplets coalesce together and are collected from the filter element by the outer drain layer. The clean, filtered air now passes through and out into the pneumatic system. The air line coalescing filter removes liquid aerosols and sub-micron particulate matter. Collected liquids and particles in the “quiet zone” (B) should be drained before their level reaches a height where they would be reentrained in the flowing air. This can be accomplished by unscrewing the drain valve (C) slightly until the liquid begins to drain.

Technical Information



F11 Filter Kits & Accessories

- Drain Kit –**
- Automatic Float Drain SA10MDSS
 - Manual Twist Drain–
 - Small (Old) SA600Y7-1SS
 - Large (New) SAP05481
- Filter Element Kits –**
- 0.01 Micron EK71
- Pipe Nipple –**
- 1/2" NPT 316 Stainless Steel 616A28-SS
 - 1/2" BSPT 316 Stainless Steel AC-4SS

Pressure & Temperature Ratings –

- Manual Twist Drain 0 to 20.7 bar
-18°C to 82°C
 - Manual Twist Drain (W) 0 to 17.2 bar
-18°C to 66°C
 - Automatic Float Drain 0 to 12 bar
0°C to 66°C
- Note: Air must be dry enough to avoid ice formation at temperatures below 2°C.
- Weight** 850 g

Specifications

- Bowl Capacity** 118 cm³
- Filter Rating** 0.01 Micron
- Sump Capacity** 50 cm³
- Port Threads** 1/2 Inch

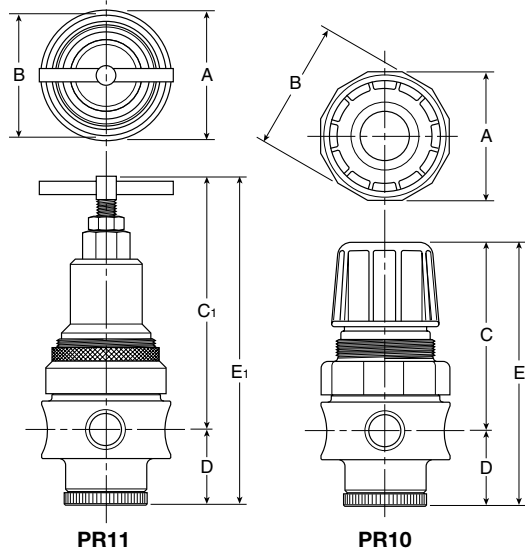
Materials of Construction

- Body** 316 Stainless Steel
- Bowls** 316 Stainless Steel
- Drain** 316 Stainless Steel
- Element Holder** Acetal
- Filter Element** Borosilicate Fiber
- Seals** Fluorocarbon
- Sight Gauge** Isoplast

PR10, PR11 Regulator – Standard

Features

- Stainless steel construction handles most corrosive environments
- Large diaphragm to valve area ratio for precise regulation and high flow capacity
- Meets NACE specifications MR-01-75/ISO 15156
- Low temperature version available
- High flow: 1/2" – 37.75 dm³/s[§]



Port Size	BSPP	NPT
1/2"	PR10G04CSS	PR10-04CSS
1/2"	PR11G04CSS	PR11-04CSS

PR10, PR11 Regulator Dimensions (mm)		
A	B	C
60	62	91
C₁	D	E
119	35	126
E₁		
154		

Standard part numbers shown bold.

For other models refer to ordering information below.

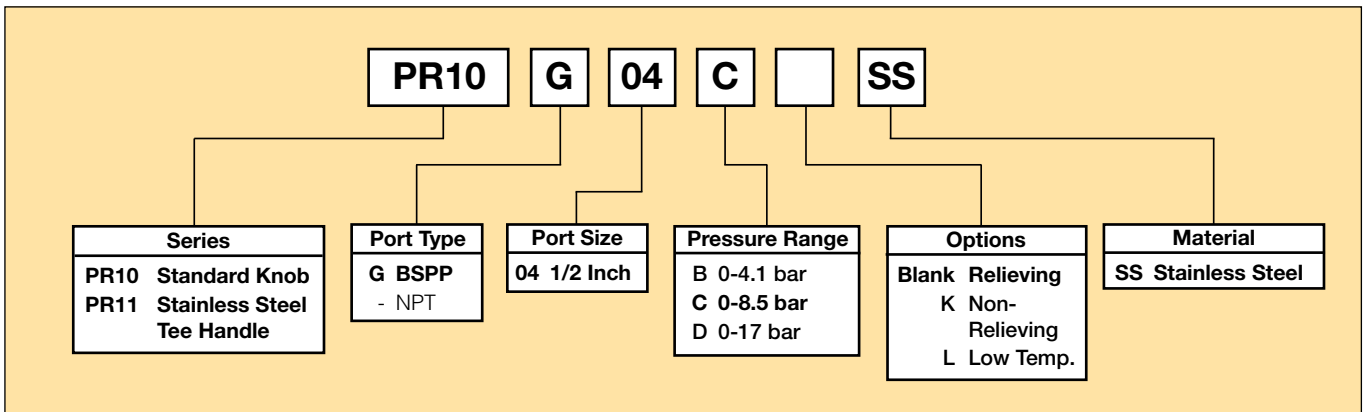
[§] dm³/s = 7 bar inlet pressure with 5.5 bar set pressure and 1 bar pressure drop.

⚠ WARNING

**Product rupture can cause serious injury.
Do not connect regulator to bottled gas.
Do not exceed maximum primary pressure rating.**

(mm)
NOTE: 44mm dia. hole required for panel mounting.

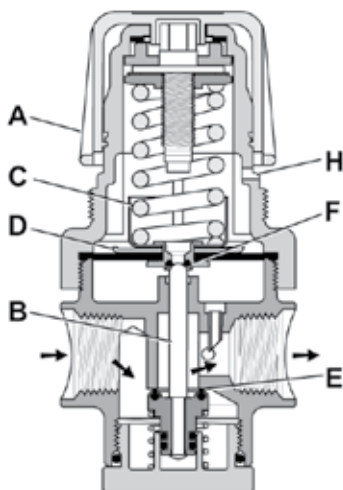
Ordering Information



BOLD ITEMS ARE MOST POPULAR.

Technical Specifications – PR10, PR11

Operation



With the adjusting knob (A) turned fully counter-clockwise (no spring load), and pressure supplied to the regulator inlet port, the valve poppet assembly (B) is closed. Turning the adjusting knob clockwise applies a load to control spring (C). This load causes the diaphragm (D) and the valve poppet assembly (B) to move downward allowing flow across the seat area (E) created between the poppet assembly and the seat. Pressure in the downstream line is sensed below the diaphragm (D) and offsets the load of spring (C). As downstream pressure rises, poppet assembly (B) and diaphragm (D) move upward until the area (E) is closed and the load of the spring (C) and pressure under diaphragm (D) are in balance. A reduced outlet pressure has now been obtained, depending on spring load. Creating a demand downstream, such as opening a valve, results in a reduced pressure under the diaphragm (D). The load of control spring (C) now causes the poppet assembly to move downward opening seat area (E) allowing air to flow to meet the downstream demand. The flow of downstream air is metered by the amount of opening (E).

Should downstream pressure exceed the desired regulated pressure, the excess pressure will cause the diaphragm (D) to move upward against control spring (C), open vent hole (F), and vent the excess pressure to atmosphere through the hole in the bonnet (H). (This occurs in the relieving type regulator only.)

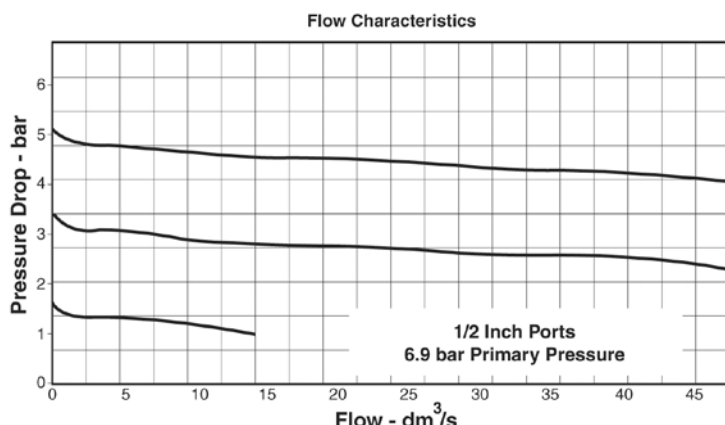
Technical Information

CAUTION:

REGULATOR PRESSURE ADJUSTMENT –

The working range of knob adjustment is designed to permit outlet pressures within their full range. Pressure adjustment beyond this range is also possible because the knob is not a limiting device. This is a common characteristic of most industrial regulators, and limiting devices may be obtained only by special design.

For best performance, regulated pressure should always be set by increasing the pressure up to the desired setting.



PR10, PR11 Regulator Kits & Accessories

R10 Bonnet Kit (Knob Included)	CKR10YSS
R11 Bonnet Kit.....	CKR11YSS
Gauge – 0 - 10 bar	
BSPP	M1/4G40S-10
NPT	K4520N14160SS
Panel Mount Bracket (Stainless).....	R10Y57-SS
Panel Mount Nut –	
Stainless	R10X51SS
Plastic	R10X51-P
Pipe Nipple –	
1/2" NPT 316 Stainless Steel.....	616A28-SS
1/2" BSPT 316 Stainless Steel.....	AC-4SS
Service Kit –	
Relieving.....	RKR10YSS
Non-Relieving.....	RKR10KYSS

Materials of Construction

Adjustment Mechanism / Springs	316 Stainless Steel
Body	316 Stainless Steel
Bonnet / Tee Handle (PR11).....	316 Stainless Steel
Bonnet / Knob (PR10)	Acetal
Bottom Plug	316 Stainless Steel
Poppet	316 Stainless Steel
Seals	Fluorocarbon

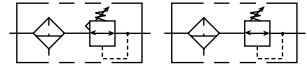
Specifications

Gauge Port.....	1/4 Inch
Operation	Fluorocarbon Diaphragm
Port Threads	1/2 Inch
Pressure & Temperature Ratings –	
PR10.....	20.7 bar max. -18°C to 66°C
PR11.....	20.7 bar max. -18°C to 82°C
Option "L" minimum operating temperature*	-40° C/F
Note: Air must be dry enough to avoid ice formation at temperatures below 2°C.	
Weight	810 G

* Note: "Low Temperature" option is intended for applications where the ambient temperature may be down to -40° C/F. Air supply must be free of moisture to prevent ice formation and malfunction of units. These units contain EPDM seals. Make sure any oils in the airstream are compatible.

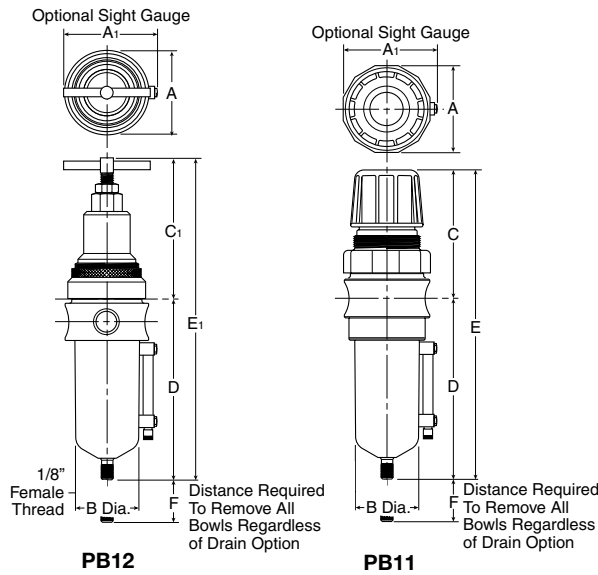


PB11, PB12 Filter / Regulator – Standard



Features

- Stainless steel construction handles most corrosive environments
- Large diaphragm to valve area ratio for precise regulation and high flow capacity
- Meets NACE specifications MR-01-75/ISO-15156
- Low temperature version available
- High flow: 1/2" – 34 dm³/s[§]
- 1/8" female threaded drain



Port Size	Adjustment Type	BSPP		NPT	
		Manual Twist Drain	Automatic Float Drain	Manual Twist Drain	Automatic Float Drain
1/2"	Metal Bowl without Sight Gauge				
	Knob	PB11G04DJCSS	PB11G04DJCRSS	PB11-04DJCSS	PB11-04DJCRSS
	Tee-Handle	PB12G04DJCSS	PB12G04DJCRSS	PB12-04DJCSS	PB12-04DJCRSS

PB11, PB12 Piggyback Dimensions (mm)		
A	A1	B
60	64	44
C	C1	D
91	119	127
E	E1	F
218	246	54

Standard part numbers shown bold. For other models refer to ordering information below.

[§] dm³/s = 7 bar inlet pressure with 5.5 bar set pressure and 1 bar pressure drop.

(mm)
NOTE: 44mm dia. hole required for panel mounting.

⚠ WARNING

**Product rupture can cause serious injury.
Do not connect regulator to bottled gas.
Do not exceed maximum primary pressure rating.**

Ordering Information

PB11 G 04 D J C SS

Series PB11 Standard Knob PB12 Stainless Steel	Port Type G BSPP - NPT	Bowl D Metal Bowl without Sight Gauge W Metal Bowl with Sight Gauge	Element J 40 Micron G 5 Micron	Reduced Pressure Range B 0-4.1 bar C 0-8.5 bar D 0-17 bar	Options Blank Relieving K Non-Relieving R Automatic Float Drain L Low Temp. *	Material SS Stainless Steel
Port Size 04 1/2 Inch						

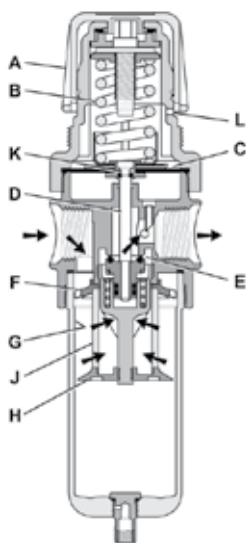
* Manual drain without sight gauge only

BOLD ITEMS ARE MOST POPULAR.



Technical Specifications – PB11, PB12

Operation



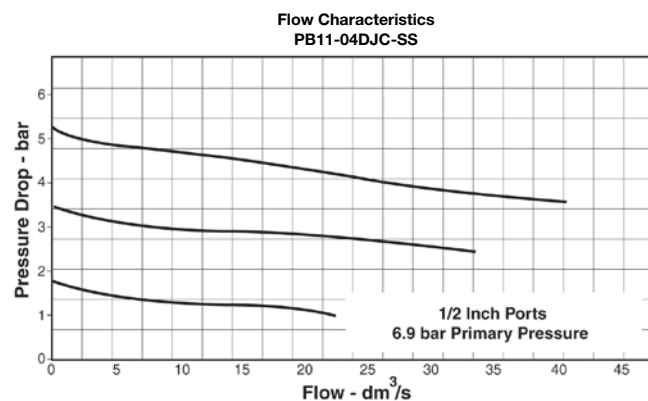
Turning the adjusting knob clockwise applies a load to control spring (B) which forces diaphragm (C) and valve poppet assembly (D) to move downward allowing filtered air to flow through the seat area (E) created between the poppet and the seat. "First stage filtration". Air pressure supplied to the inlet port is directed through deflector plate (F) causing a swirling centrifugal action forcing liquids and coarse particles to the inner bowl wall (G) and down below the lower baffle (H) to the quiet zone. After liquids and large particles are removed in the first stage of filtration "second stage filtration" occurs as air flows through element (J) where smaller particles are filtered out and retained. The air flow now passes through seat area (E) to the outlet port of the unit. Pressure in the downstream line is sensed below the diaphragm (C) and offsets the load of spring (B). When downstream pressure reaches the set-point, poppet valve assembly (D) and diaphragm (C) move upward closing seat area (E). Should downstream pressure exceed the desired regulated pressure, the excess pressure will cause the diaphragm (C) to move upward opening vent hole (K) venting the excess pressure to atmosphere through the hole in the bonnet (L). (This occurs in the standard relieving type filter/regulators only.)

Technical Information

CAUTION:

REGULATOR PRESSURE ADJUSTMENT – The working range of knob adjustment is designed to permit outlet pressures within their full range. Pressure adjustment beyond this range is also possible because the knob is not a limiting device. This is a common characteristic of most industrial regulators, and limiting devices may be obtained only by special design.

For best performance, regulated pressure should always be set by increasing the pressure up to the desired setting.



PB11, PB12 Regulator Kits & Accessories

- Drain Kits -**
- Automatic Float Drain.....SA10MDSS
- Manual Twist Drain -
- Small (Old).....SA600Y7-1SS
- Large (New).....SAP05481
- Filter Element Kits –**
- Particulate (40 Micron).....EKF10Y
- Particulate (5 Micron).....EKF10VY
- Gauge – 0 - 10 bar**
- BSPBM1/4G40S-10
- NPTK4520N14160SS
- Panel Mount Bracket (Stainless).....R10Y57-SS**
- Panel Mount Nut –**
- StainlessR10X51SS
- PlasticR10X51-P
- Pipe Nipple –**
- 1/2" NPT 316 Stainless Steel.....616A28-SS
- 1/2" BSPT 316 Stainless Steel.....AC-4SS
- Service Kit –**
- RelievingRKR10YSS
- Non-Relieving.....RKR10KYSS

Materials of Construction

- Adjustment Mechanism / Springs**316 Stainless Steel
- Body**316 Stainless Steel
- Bonnet / Knob (PB11)**Acetal
- Bonnet / Tee Handle (PB12)**316 Stainless Steel
- Bottom Plug**316 Stainless Steel
- Poppet**316 Stainless Steel
- Seals**Fluorocarbon
- Sight Gauge**Isoplast

Specifications

- Bowl Capacity** 118 cm³
- Filter Rating**40 Micron
- Gauge Port**1/4 Inch
- Operation** Fluorocarbon Diaphragm
- Port Threads**1/2 Inch
- Pressure & Temperature Ratings –**
- PB11 (Metal bowl D or W).....20.7 bar -18°C to 66°C
- PB12 (Metal bowl D).....20.7 bar -18°C to 82°C
- PB12 (Metal bowl W).....20.7 bar -18°C to 66°C
- Automatic float drain.....1 to 12 bar 0°C to 66°C
- Option "L" minimum operating temperature*** -40° C/F
- Note: Air must be dry enough to avoid ice formation at temperatures below 2°C.
- Sump Capacity** 50 cm³
- Weight** 1090 g

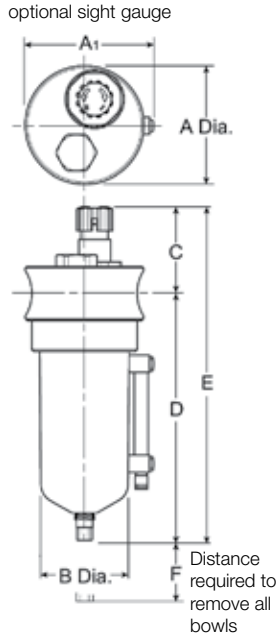
* **Note:** "Low Temperature" option is intended for applications where the ambient temperature may be down to -40° C/F. Air supply must be free of moisture to prevent ice formation and malfunction of units. These units contain EPDM seals. Make sure any oils in the airstream are compatible.



PL10 Lubricator – Standard

Features

- Stainless steel construction handles most corrosive environments
- Fillable under pressure
- Meets NACE specifications MR-01-75/ISO 15156
- High flow: 1/2" - 47 dm³/s[§]
- 1/8" female threaded drain

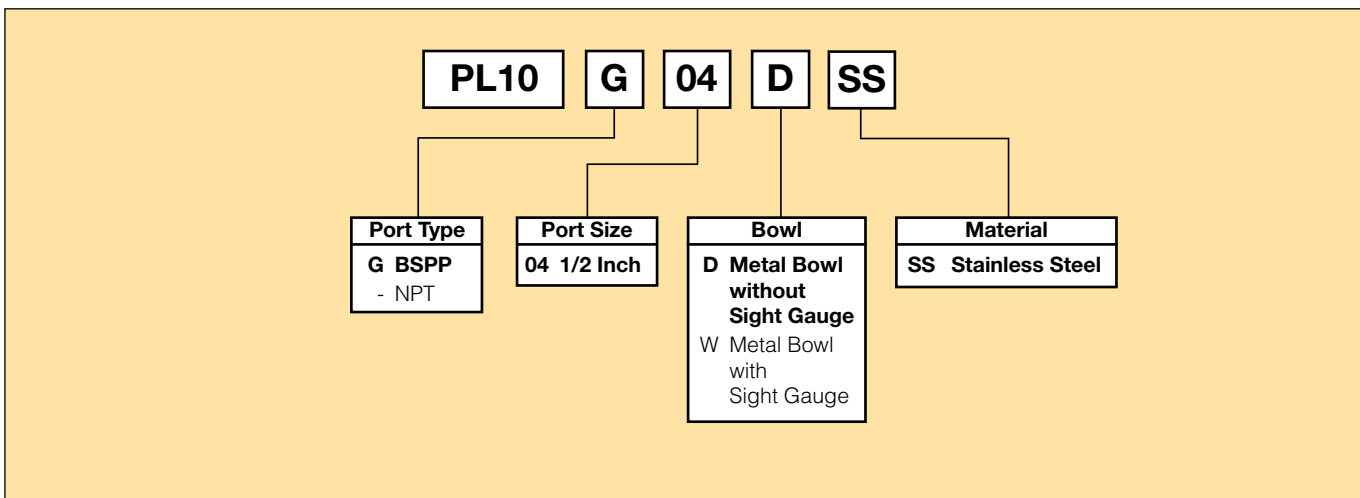


Port Size	BSPP	NPT
	Manual Twist Drain	Manual Twist Drain
1/2"	Metal Bowl Without Sight Gauge	
	PL10G04DSS	PL10-04DSS

PL10 Lubricator Dimensions (mm)		
A 60	A1 64	B 44
C 46	D 127	E 173
F 89		

Standard part numbers shown bold.
 For other models refer to ordering information below.
[§] dm³/s = Flow at 6.2 bar and a 0.3 bar pressure drop.

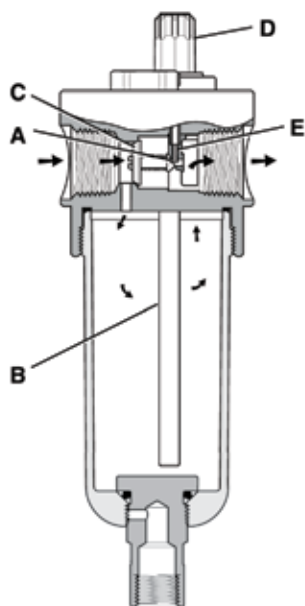
Ordering Information



BOLD ITEMS ARE MOST POPULAR.

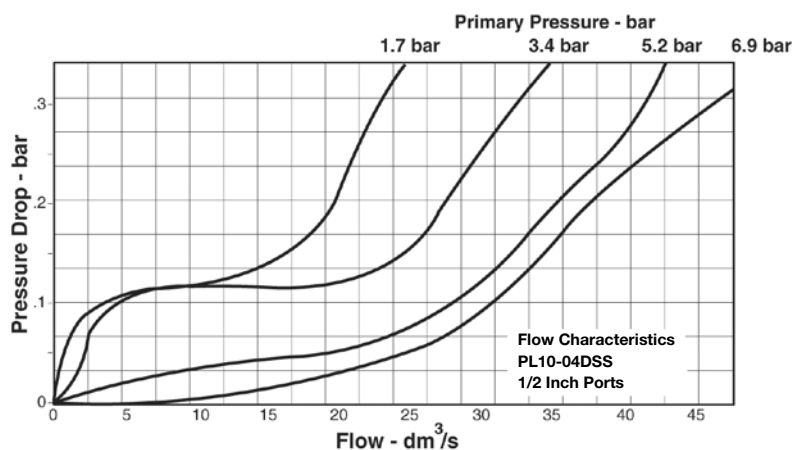
Technical Specifications – PL10

Operation



Air flowing through the unit goes through two paths. At low flow rates the majority of the air flows through the Venturi section (A). The rest of the air opens the check valve (C). The velocity of the air flowing through the Venturi section (A) creates a pressure drop. This lower pressure allows the oil to be forced from the reservoir through the pickup tube (B) and travels up to the metering screw (D). The rate of oil delivery is then controlled by adjusting the metering screw (D). Oil flows past the metering screw (D) and forms a drop in the nozzle tube (E). As the oil drops through the dome (F) and back into the Venturi section (A), it is broken up into fine particles. It is then mixed with the air flowing past the check valve (C) and is carried downstream. As the air flow increases the check valve (C) will open more fully. This additional flow will assure that the oil delivery rate will increase linearly with the increase of air flow.

Technical Information



L10 Filter Kits & Accessories

Drain Kits -

Manual Twist Drain -

Small (Old).....	SA600Y7-1SS
Large (New).....	SAP05481

Pipe Nipple –

1/2" NPT 316 Stainless Steel.....	616A28-SS
1/2" BSPT 316 Stainless Steel.....	AC-4SS

Sight Dome Kit	RKL10SS
----------------------	---------

Specifications

Bowl Capacity	118 cm ³
----------------------------	---------------------

Port Threads	1/2 Inch
---------------------------	----------

Pressure & Temperature Ratings –

Metal Bowl (D)	20.7 bar max.
	-18°C to 66°C

Metal Bowl (W)	0 to 17.2 bar
	-18°C to 66°C

Note: Air must be dry enough to avoid ice formation at temperatures below 2°C.

Weight	850 g
---------------------	-------

Materials of Construction

Body	316 Stainless Steel
Bowl	316 Stainless Steel
Dip Tube	316 Stainless Steel
Drain	316 Stainless Steel
Fill Plug	316 Stainless Steel
Seals	Fluorocarbon
Sight Dome	Nylon
Sight Gauge	Isoplast

Parker Worldwide

Europe, Middle East, Africa

AE – United Arab Emirates, Dubai

Tel: +971 4 8127100
parker.me@parker.com

AT – Austria, Wiener Neustadt

Tel: +43 (0)2622 23501-0
parker.austria@parker.com

AT – Eastern Europe, Wiener Neustadt

Tel: +43 (0)2622 23501 900
parker.easteurope@parker.com

AZ – Azerbaijan, Baku

Tel: +994 50 2233 458
parker.azerbaijan@parker.com

BE/LU – Belgium, Nivelles

Tel: +32 (0)67 280 900
parker.belgium@parker.com

BY – Belarus, Minsk

Tel: +375 17 209 9399
parker.belarus@parker.com

CH – Switzerland, Etoy

Tel: +41 (0)21 821 87 00
parker.switzerland@parker.com

CZ – Czech Republic, Klecany

Tel: +420 284 083 111
parker.czechrepublic@parker.com

DE – Germany, Kaarst

Tel: +49 (0)2131 4016 0
parker.germany@parker.com

DK – Denmark, Ballerup

Tel: +45 43 56 04 00
parker.denmark@parker.com

ES – Spain, Madrid

Tel: +34 902 330 001
parker.spain@parker.com

FI – Finland, Vantaa

Tel: +358 (0)20 753 2500
parker.finland@parker.com

FR – France, Contamine s/Arve

Tel: +33 (0)4 50 25 80 25
parker.france@parker.com

GR – Greece, Athens

Tel: +30 210 933 6450
parker.greece@parker.com

HU – Hungary, Budapest

Tel: +36 1 220 4155
parker.hungary@parker.com

IE – Ireland, Dublin

Tel: +353 (0)1 466 6370
parker.ireland@parker.com

IT – Italy, Corsico (MI)

Tel: +39 02 45 19 21
parker.italy@parker.com

KZ – Kazakhstan, Almaty

Tel: +7 7272 505 800
parker.easteurope@parker.com

NL – The Netherlands, Oldenzaal

Tel: +31 (0)541 585 000
parker.nl@parker.com

NO – Norway, Asker

Tel: +47 66 75 34 00
parker.norway@parker.com

PL – Poland, Warsaw

Tel: +48 (0)22 573 24 00
parker.poland@parker.com

PT – Portugal, Leca da Palmeira

Tel: +351 22 999 7360
parker.portugal@parker.com

RO – Romania, Bucharest

Tel: +40 21 252 1382
parker.romania@parker.com

RU – Russia, Moscow

Tel: +7 495 645-2156
parker.russia@parker.com

SE – Sweden, Spånga

Tel: +46 (0)8 59 79 50 00
parker.sweden@parker.com

SK – Slovakia, Banská Bystrica

Tel: +421 484 162 252
parker.slovakia@parker.com

SL – Slovenia, Novo Mesto

Tel: +386 7 337 6650
parker.slovenia@parker.com

TR – Turkey, Istanbul

Tel: +90 216 4997081
parker.turkey@parker.com

UA – Ukraine, Kiev

Tel: +380 44 494 2731
parker.ukraine@parker.com

UK – United Kingdom, Warwick

Tel: +44 (0)1926 317 878
parker.uk@parker.com

ZA – South Africa, Kempton Park

Tel: +27 (0)11 961 0700
parker.southafrica@parker.com

North America

CA – Canada, Milton, Ontario

Tel: +1 905 693 3000

US – USA, Cleveland

Tel: +1 216 896 3000

Asia Pacific

AU – Australia, Castle Hill

Tel: +61 (0)2-9634 7777

CN – China, Shanghai

Tel: +86 21 2899 5000

HK – Hong Kong

Tel: +852 2428 8008

IN – India, Mumbai

Tel: +91 22 6513 7081-85

JP – Japan, Tokyo

Tel: +81 (0)3 6408 3901

KR – South Korea, Seoul

Tel: +82 2 559 0400

MY – Malaysia, Shah Alam

Tel: +60 3 7849 0800

NZ – New Zealand, Mt Wellington

Tel: +64 9 574 1744

SG – Singapore

Tel: +65 6887 6300

TH – Thailand, Bangkok

Tel: +662 186 7000 99

TW – Taiwan, Taipei

Tel: +886 2 2298 8987

South America

AR – Argentina, Buenos Aires

Tel: +54 3327 44 4129

BR – Brazil, Sao Jose dos Campos

Tel: +55 800 727 5374

CL – Chile, Santiago

Tel: +56 2 623 1216

MX – Mexico, Apodaca

Tel: +52 81 8156 6000

European Product Information Centre

Free phone: 00 800 27 27 5374

(from AT, BE, CH, CZ, DE, DK, EE, ES, FI, FR, IE, IL, IS, IT, LU, MT, NL, NO, PL, PT, RU, SE, SK, UK, ZA)

Parker Hannifin Ltd.

Tachbrook Park Drive

Tachbrook Park,

Warwick, CV34 6TU

United Kingdom

Tel.: +44 (0) 1926 317 878

Fax: +44 (0) 1926 317 855

parker.uk@parker.com

www.parker.com

